

# T Valves

for Sterile Applications



# Innovative technology

GEMÜ is a leading world-wide manufacturer of high quality valves, measurement and control systems.

Fritz Müller established GEMÜ in 1964, and since then, the company developed internationally with a large number of production centres, subsidiaries and trading companies on every continent..

GEMÜ provides engineered control solutions for a large number of process and engineering plant, such as :

- Industrial plant and machine construction
- Automobile industry
- Water / waste water treatment
- Chemical industry
- Steel works
- Mining and metal extraction
- Power stations
- Shipbuilding industry
- Petrochemical industry
- Paper industry
- Pharmaceutical and biotechnological industries
- Foodstuff and beverage industries
- Microelectronics and semiconductor industries

State-of-the-art factory equipment and machinery plus a motivated team ensure the best service through our world-wide network of distributors and stockholding subsidiaries.

We are constantly making investments in order to optimise our existing products and to develop new products. Thus we can provide technical solutions for individual applications.

GEMÜ - your valve and instrumentation partner.



*Headquarters in Ingelfingen-Criesbach*



*Research and Development Centre in Niedernhall-Waldzimmern*



## Description of use

T valve bodies are ideal for welding into ring mains enabling the working medium to be vertically taken or fed almost deadleg free.

### Product features

- GEMÜ seal system is EHEDG certified
- Made from block material, no welded components
- Fitted with butt weld spigots as standard, i.e. reduction of validation times
- Compact construction, GMP compliant design
- Internal surface contour mechanically polished and/or electropolished down to Ra 0.25 µm
- Standard valve body material 1.4435 (316L).
- Other materials on request
- Clamps, unions and flanges as well as other connections on request
- Available with manual, pneumatic or motorized operators



# T valve bodies

| T valve bodies          |                      |                |  |
|-------------------------|----------------------|----------------|--|
| Main pipe*<br>DN 2 (mm) | Branch*<br>DN 1 (mm) | Diaphragm size | for valve types  |
| 6 - 25                  | 4 - 15               | 8              | Specifications see brochure<br>"Valves for Sterile Applications" |
| 10 - 65                 | 4 - 20               | 10             |  |
| 15 - 100                | 6 - 25               | 25             |  |
| 25 - 100                | 32 - 40              | 40             |  |
| 40 - 100                | 50                   | 50             |  |
| 40 - 100                | 65 - 80              | 80             |  |
| 50                      | 100                  | 100            |  |
| 25 - 150                | 6 - 40               | 40             |  |
| 40 - 150                | 50                   | 50             |  |
| 40 - 150                | 65 - 80              | 80             |  |
| 50 - 150                | 100                  | 100            |  |

\* more combinations main pipe-branch on request

## Selection of materials



### Investment cast:

Valve body material codes: 32: 1.4435 (BN2) Fe < 0.5%  
 34: 1.4435 (ASTM A 351 CF3M)\*  
 \* Material equivalency 316L

Special materials on request



### Block material:

Valve body material codes: 41: 1.4435 (316 L)  
 43: 1.4435-BN2 (316 L) Fe < 0.5%

Special materials on request

| Valve body material                      | Code |
|--|------|
| 1.4435 (BN2), Investment casting Fe<0.5% | 32   |
| 1.4435 (ASTM A 351 CF3M)*                | 34   |
| 1.4435 (316L), Block material            | 41   |
| 1.4435 (BN2), Block material Fe<0.5%     | 43   |

\* Material equivalency 316L

| Butt weld spigots           | Code |
|-----------------------------|------|
| Spigots DIN                 | 0    |
| Spigots DIN 11850 series 1  | 16   |
| Spigots DIN 11850 series 2  | 17   |
| Spigots DIN 11866, series A | 1A   |
| Spigots JIS-G 3447 (IDF)    | 35   |
| Spigots JIS-G 3459 Sch 10s  | 36   |
| Spigots SMS 3008            | 37   |
| Spigots ASME-BPE            | 59   |
| Spigots ISO                 | 60   |



## Surface finish / Selection of operators

| Valve body surface finish, internal contour |  | Code |
|---|--|------|
| Ra ≤ 0,8 µm                                 | mechanically polished internal, blasted external | 1502 |
| Ra ≤ 0,8 µm                                 | electropolished internal/external                | 1503 |
| Ra ≤ 0,6 µm                                 | mechanically polished internal, blasted external | 1507 |
| Ra ≤ 0,6 µm                                 | electropolished internal/external                | 1508 |
| Ra ≤ 0,4 µm                                 | mechanically polished internal, blasted external | 1536 |
| Ra ≤ 0,4 µm                                 | electropolished internal/external                | 1537 |
| Ra ≤ 0,25 µm                                | mechanically polished internal, blasted external | 1527 |
| Ra ≤ 0,25 µm                                | electropolished internal/external                | 1516 |

Ra acc. to DIN 4768; at defined reference points

| GEMÜ Germany |        | DIN 11866     |        | GEMÜ USA |       | BPE Surface |                     |       |        |       |
|--------------|--------|---------------|--------|----------|-------|-------------|---------------------|-------|--------|-------|
| Code         | *Ra µm | Hygiene class | *Ra µm | Code     | µinch | Designation | Ra Average (Note 1) |       | Ra max |       |
|              |        |               |        |          |       |             | µinch               | µm    | µinch  | µm    |
| -            | -      | -             | -      | 3        | 35    | -           | -                   | -     | -      | -     |
| 1502         | ≤ 0.8  | H3/HE 3c      | < 0.8  | 5        | 25    | SFV 3       | 25                  | 0.625 | 30     | 0.7   |
| 1508         | ≤ 0.6  | -             | -      | 6        | 20    | SFV 6       | 20                  | 0.5   | 25     | 0.625 |
| 1507         | ≤ 0.6  | -             | -      | 7        | 20    | SFV 2       | 20                  | 0.5   | 25     | 0.625 |
| 1537         | ≤ 0.4  | H4/HE 4c      | < 0.4  | 8        | 15    | SFV 5       | 15                  | 0.375 | 20     | 0.5   |
| 1536         | ≤ 0.4  | -             | -      | 9        | 11    | SFV 1       | 15                  | 0.375 | 20     | 0.5   |
| 1516         | ≤ 0.25 | H4/HE 5c      | < 0.25 | 10       | 10    | SFV 4       | 10                  | 0.25  | 15     | 0.375 |

**General note:** All Ra readings are taken across the grain.

**Note: (Note 1)** The average Ra is derived from two readings taken at different locations.

\* Ra acc. to DIN 4768; at defined reference points.

### Selection of operators



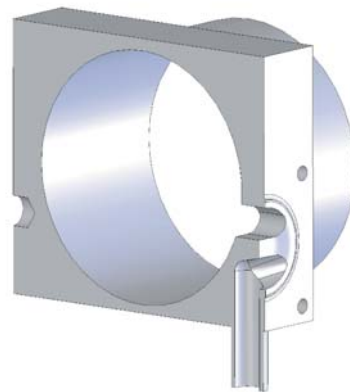
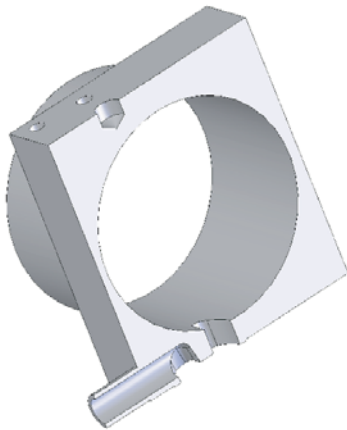
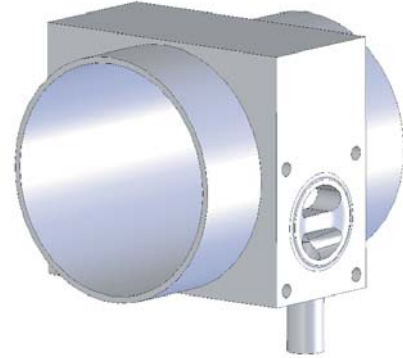
Available with manual, pneumatic or motorized operators.

## T valve bodies for sampling (body version “A”)

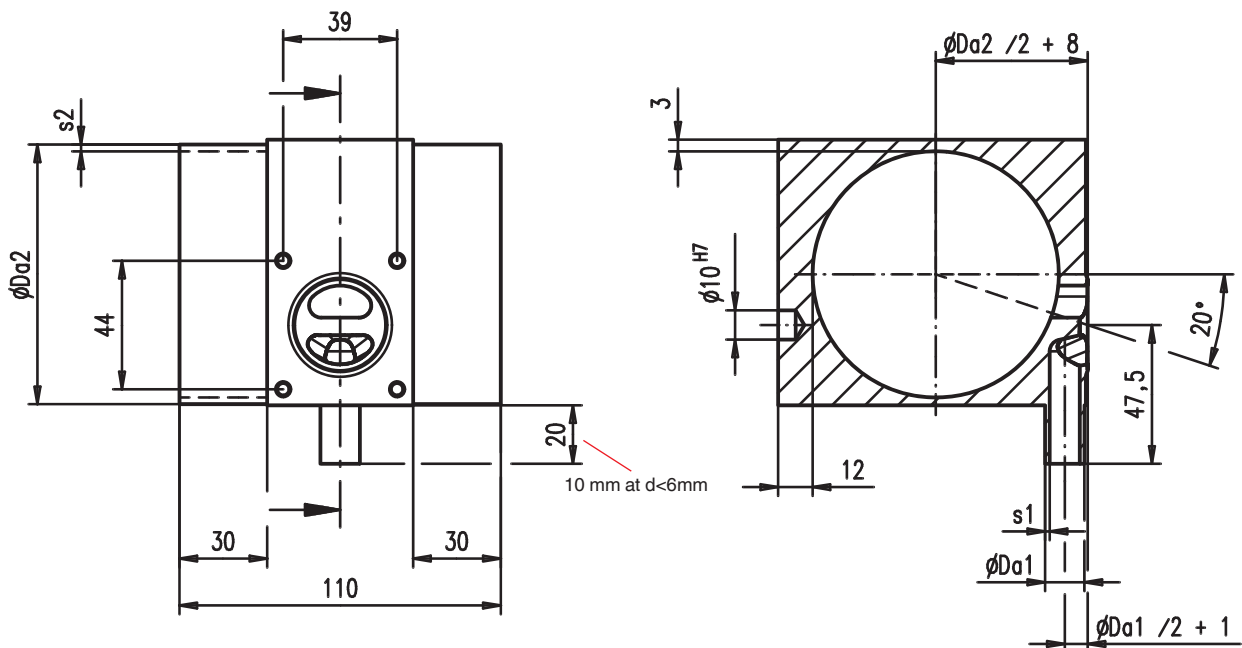
T valve bodies for sampling take optimized deadleg conditions into account. These were specially designed for large ring mains with small branches. Ideal for ring mains cross sections  $\geq$  DN50, outlet branches  $\leq$  DN15 and seat sizes MG8 and MG10.

### Advantages

- Cavity fully shaped, deadleg ratio  $< 1 \times D$
- Compact construction
- Self-draining if installed at an angle



### Dimension example for diaphragm size 10



# W600 valve configuration ↔ M600 multi-port valve

## W600 valve configuration



Configuration 5

Using two valve bodies welded together no additional weld fittings are necessary.

### Advantages

- Reduced deadleg
- Reduced number of welds than with fittings
- Improved drainability
- GMP and SAP designs available  
(GMP = main valve vertical)  
(SAP = main valve horizontal)

## M600 multi-port valve

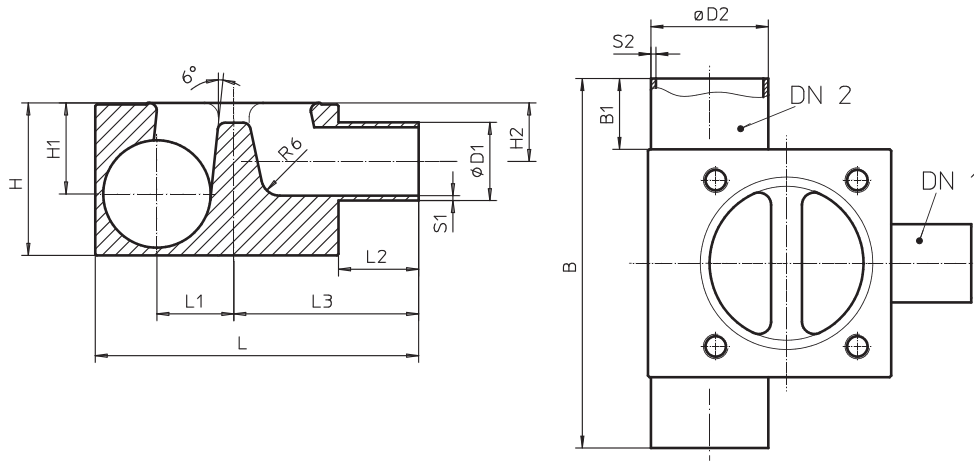


The implementation of complex process sequences demands a wide variety of compact multi-port valve designs.

### Advantages

- Individual, customized designs
- Compact construction
- Minimal deadlegs
- Optimized draining
- Simplified validation, as manufactured from block material

# T valve bodies for EN ISO 1127 pipes



| Valve body material           | Code |
|-------------------------------|------|
| 1.4435 (ASTM A 351 CF3M)*     | 34   |
| 1.4435 (316L), Block material | 41   |

The valve body dimensions for your order are clearly defined by specification of the codes in the blue columns in the given sequence.

\* Material equivalency 316L

| Dimensions |                     |      |                     |                 |                  |         |         |         |         |        |         |         |         |        |         |         |        |         |                     |
|------------|---------------------|------|---------------------|-----------------|------------------|---------|---------|---------|---------|--------|---------|---------|---------|--------|---------|---------|--------|---------|---------------------|
| DN 2       | Code 2 <sup>1</sup> | DN 1 | Code 1 <sup>1</sup> | MG <sup>2</sup> | WKZ <sup>3</sup> | D1 (mm) | S1 (mm) | D2 (mm) | S2 (mm) | L (mm) | L1 (mm) | L2 (mm) | L3 (mm) | H (mm) | H1 (mm) | H2 (mm) | B (mm) | B1 (mm) | G <sup>4</sup> (kg) |
| 6          | 60                  | 6    | 60                  | 8               | 41               | 10.20   | 1.60    | 10.20   | 1.60    | 52     | 6.9     | 20      | 36      | 18     | 10.4    | 8.5     | 72     | 20      | 0.1                 |
| 8          | 60                  | 6    | 60                  | 8               | 41               | 10.20   | 1.60    | 13.50   | 1.60    | 53     | 8.7     | 20      | 36      | 21     | 12.1    | 8.5     | 72     | 20      | 0.2                 |
| 8          | 60                  | 8    | 60                  | 8               | 34*              | 13.50   | 1.60    | 13.50   | 1.60    | 52     | 8.5     | 20      | 36      | 21     | 14.0    | 8.5     | 72     | 20      | 0.1                 |
| 10         | 60                  | 6    | 60                  | 8               | 41               | 10.20   | 1.60    | 17.20   | 1.60    | 57     | 10.8    | 20      | 36      | 24     | 13.9    | 8.5     | 72     | 20      | 0.2                 |
| 10         | 60                  | 8    | 60                  | 8               | 41               | 13.50   | 1.60    | 17.20   | 1.60    | 57     | 10.8    | 20      | 36      | 24     | 13.9    | 8.5     | 72     | 20      | 0.2                 |
| 10         | 60                  | 10   | 60                  | 10              | 41               | 17.20   | 1.60    | 17.20   | 1.60    | 75     | 12.0    | 20      | 48      | 27     | 16.2    | 12.5    | 90     | 20      | 0.5                 |
| 15         | 60                  | 6    | 60                  | 8               | 41               | 10.20   | 1.60    | 21.30   | 1.60    | 62     | 13.0    | 20      | 36      | 29     | 16.0    | 8.5     | 72     | 20      | 0.3                 |
| 15         | 60                  | 8    | 60                  | 8               | 41               | 13.50   | 1.60    | 21.30   | 1.60    | 62     | 13.0    | 20      | 36      | 29     | 16.0    | 8.5     | 72     | 20      | 0.3                 |
| 15         | 60                  | 10   | 60                  | 10              | 41               | 17.20   | 1.60    | 21.30   | 1.60    | 75     | 14.2    | 20      | 48      | 31     | 18.3    | 12.5    | 90     | 20      | 0.6                 |
| 15         | 60                  | 15   | 60                  | 10              | 41               | 21.30   | 1.60    | 21.30   | 1.60    | 75     | 14.2    | 20      | 48      | 31     | 18.3    | 12.5    | 90     | 20      | 0.6                 |
| 15         | 60                  | 15   | 60                  | 25              | 41               | 21.30   | 1.60    | 21.30   | 1.60    | 88     | 15.7    | 20      | 54      | 34     | 21.5    | 19.0    | 114    | 20      | 1.1                 |
| 20         | 60                  | 6    | 60                  | 8               | 41               | 10.20   | 1.60    | 26.90   | 1.60    | 68     | 16.2    | 20      | 36      | 34     | 18.8    | 8.5     | 82     | 25      | 0.3                 |
| 20         | 60                  | 8    | 60                  | 8               | 41               | 13.50   | 1.60    | 26.90   | 1.60    | 68     | 16.2    | 20      | 36      | 34     | 18.8    | 8.5     | 82     | 25      | 0.3                 |
| 20         | 60                  | 10   | 60                  | 10              | 41               | 17.20   | 1.60    | 26.90   | 1.60    | 80     | 17.3    | 20      | 48      | 36     | 21.1    | 12.5    | 100    | 25      | 0.7                 |
| 20         | 60                  | 15   | 60                  | 10              | 41               | 21.30   | 1.60    | 26.90   | 1.60    | 80     | 17.3    | 20      | 48      | 36     | 21.1    | 12.5    | 100    | 25      | 0.7                 |
| 20         | 60                  | 15   | 60                  | 25              | 41               | 21.30   | 1.60    | 26.90   | 1.60    | 88     | 18.8    | 20      | 54      | 40     | 24.3    | 19.0    | 124    | 25      | 1.2                 |
| 20         | 60                  | 20   | 60                  | 25              | 41               | 26.90   | 1.60    | 26.90   | 1.60    | 93     | 18.8    | 25      | 59      | 40     | 24.3    | 19.0    | 124    | 25      | 1.2                 |
| 25         | 60                  | 6    | 60                  | 8               | 41               | 10.20   | 1.60    | 33.70   | 2.00    | 74     | 19.5    | 20      | 36      | 41     | 22.2    | 8.5     | 82     | 25      | 0.5                 |
| 25         | 60                  | 8    | 60                  | 8               | 41               | 13.50   | 1.60    | 33.70   | 2.00    | 74     | 19.5    | 20      | 36      | 41     | 22.2    | 8.5     | 82     | 25      | 0.5                 |
| 25         | 60                  | 10   | 60                  | 10              | 41               | 17.20   | 1.60    | 33.70   | 2.00    | 87     | 20.7    | 20      | 48      | 43     | 24.5    | 12.5    | 100    | 25      | 0.9                 |
| 25         | 60                  | 15   | 60                  | 10              | 41               | 21.30   | 1.60    | 33.70   | 2.00    | 87     | 20.7    | 20      | 48      | 43     | 24.5    | 12.5    | 100    | 25      | 0.9                 |
| 25         | 60                  | 15   | 60                  | 25              | 41               | 21.30   | 1.60    | 33.70   | 2.00    | 95     | 22.2    | 20      | 54      | 46     | 27.7    | 19.0    | 124    | 25      | 1.5                 |
| 25         | 60                  | 20   | 60                  | 25              | 41               | 26.90   | 1.60    | 33.70   | 2.00    | 100    | 22.2    | 25      | 59      | 46     | 27.7    | 19.0    | 124    | 25      | 1.5                 |
| 25         | 60                  | 25   | 60                  | 25              | 41               | 33.70   | 2.00    | 33.70   | 2.00    | 100    | 22.2    | 25      | 59      | 46     | 27.7    | 19.0    | 124    | 25      | 1.5                 |
| 32         | 60                  | 8    | 60                  | 10              | 41               | 13.50   | 1.60    | 42.40   | 2.00    | 96     | 25.5    | 20      | 48      | 52     | 28.8    | 12.5    | 100    | 25      | 1.2                 |
| 32         | 60                  | 10   | 60                  | 10              | 41               | 17.20   | 1.60    | 42.40   | 2.00    | 96     | 25.5    | 20      | 48      | 52     | 28.8    | 12.5    | 100    | 25      | 1.2                 |
| 32         | 60                  | 15   | 60                  | 10              | 41               | 21.30   | 1.60    | 42.40   | 2.00    | 96     | 25.5    | 20      | 48      | 52     | 28.8    | 12.5    | 100    | 25      | 1.2                 |
| 32         | 60                  | 15   | 60                  | 25              | 41               | 21.30   | 1.60    | 42.40   | 2.00    | 104    | 27.0    | 20      | 54      | 55     | 32.0    | 19.0    | 124    | 25      | 2.0                 |
| 32         | 60                  | 20   | 60                  | 25              | 41               | 26.90   | 1.60    | 42.40   | 2.00    | 109    | 27.0    | 25      | 59      | 55     | 32.0    | 19.0    | 124    | 25      | 1.9                 |



Dimensions

| DN 2 | Code 2 <sup>1</sup> | DN 1 | Code 1 <sup>1</sup> | MG <sup>2</sup> | WKZ <sup>3</sup> | D1<br>(mm) | S1<br>(mm) | D2<br>(mm) | S2<br>(mm) | L<br>(mm) | L1<br>(mm) | L2<br>(mm) | L3<br>(mm) | H<br>(mm) | H1<br>(mm) | H2<br>(mm) | B<br>(mm) | B1<br>(mm) | G <sup>4</sup><br>(kg) |
|------|---------------------|------|---------------------|-----------------|------------------|------------|------------|------------|------------|-----------|------------|------------|------------|-----------|------------|------------|-----------|------------|------------------------|
| 32   | 60                  | 25   | 60                  | 25              | 41               | 33.70      | 2.00       | 42.40      | 2.00       | 109       | 27.0       | 25         | 59         | 55        | 32.0       | 19.0       | 124       | 25         | 1.9                    |
| 32   | 60                  | 32   | 60                  | 40              | 41               | 42.40      | 2.00       | 42.40      | 2.00       | 123       | 29.1       | 25         | 71         | 58        | 34.9       | 26.0       | 152       | 25         | 3.2                    |
| 40   | 60                  | 8    | 60                  | 10              | 41               | 13.50      | 1.60       | 48.30      | 2.00       | 102       | 28.8       | 20         | 48         | 58        | 31.8       | 12.5       | 100       | 25         | 1.4                    |
| 40   | 60                  | 10   | 60                  | 10              | 41               | 17.20      | 1.60       | 48.30      | 2.00       | 102       | 28.8       | 20         | 48         | 58        | 31.8       | 12.5       | 100       | 25         | 1.4                    |
| 40   | 60                  | 15   | 60                  | 10              | 41               | 21.30      | 1.60       | 48.30      | 2.00       | 102       | 28.8       | 20         | 48         | 58        | 31.8       | 12.5       | 100       | 25         | 1.3                    |
| 40   | 60                  | 15   | 60                  | 25              | 41               | 21.30      | 1.60       | 48.30      | 2.00       | 110       | 30.3       | 20         | 54         | 61        | 35.0       | 19.0       | 124       | 25         | 2.3                    |
| 40   | 60                  | 20   | 60                  | 25              | 41               | 26.90      | 1.60       | 48.30      | 2.00       | 115       | 30.3       | 25         | 59         | 61        | 35.0       | 19.0       | 124       | 25         | 2.2                    |
| 40   | 60                  | 25   | 60                  | 25              | 41               | 33.70      | 2.00       | 48.30      | 2.00       | 115       | 30.3       | 25         | 59         | 61        | 35.0       | 19.0       | 124       | 25         | 2.2                    |
| 40   | 60                  | 32   | 60                  | 40              | 41               | 42.40      | 2.00       | 48.30      | 2.00       | 130       | 32.4       | 25         | 71         | 64        | 37.9       | 26.0       | 152       | 25         | 3.8                    |
| 40   | 60                  | 40   | 60                  | 40              | 41               | 48.30      | 2.00       | 48.30      | 2.00       | 130       | 32.4       | 25         | 71         | 64        | 37.9       | 26.0       | 152       | 25         | 3.7                    |
| 50   | 60                  | 8    | 60                  | 10              | 41               | 13.50      | 1.60       | 60.30      | 2.00       | 115       | 35.5       | 20         | 48         | 70        | 37.8       | 12.5       | 110       | 30         | 1.8                    |
| 50   | 60                  | 10   | 60                  | 10              | 41               | 17.20      | 1.60       | 60.30      | 2.00       | 115       | 35.5       | 20         | 48         | 70        | 37.8       | 12.5       | 110       | 30         | 1.8                    |
| 50   | 60                  | 15   | 60                  | 10              | 41               | 21.30      | 1.60       | 60.30      | 2.00       | 115       | 35.5       | 20         | 48         | 70        | 37.8       | 12.5       | 110       | 30         | 1.8                    |
| 50   | 60                  | 15   | 60                  | 25              | 41               | 21.30      | 1.60       | 60.30      | 2.00       | 123       | 36.9       | 20         | 54         | 73        | 41.0       | 19.0       | 134       | 30         | 3.0                    |
| 50   | 60                  | 20   | 60                  | 25              | 41               | 26.90      | 1.60       | 60.30      | 2.00       | 128       | 36.9       | 25         | 59         | 73        | 41.0       | 19.0       | 134       | 30         | 2.9                    |
| 50   | 60                  | 25   | 60                  | 25              | 41               | 33.70      | 2.00       | 60.30      | 2.00       | 128       | 36.9       | 25         | 59         | 73        | 41.0       | 19.0       | 134       | 30         | 2.9                    |
| 50   | 60                  | 32   | 60                  | 40              | 41               | 42.40      | 2.00       | 60.30      | 2.00       | 142       | 39.0       | 25         | 71         | 76        | 43.9       | 26.0       | 162       | 30         | 4.8                    |
| 50   | 60                  | 40   | 60                  | 40              | 41               | 48.30      | 2.00       | 60.30      | 2.00       | 142       | 39.0       | 25         | 71         | 76        | 43.9       | 26.0       | 162       | 30         | 4.7                    |
| 50   | 60                  | 50   | 60                  | 50              | 41               | 60.30      | 2.00       | 60.30      | 2.00       | 158       | 40.2       | 30         | 85         | 79        | 46.0       | 32.0       | 184       | 30         | 6.3                    |
| 65   | 60                  | 8    | 60                  | 10              | 41               | 13.50      | 1.60       | 76.10      | 2.00       | 132       | 44.3       | 20         | 48         | 86        | 45.7       | 12.5       | 110       | 30         | 2.4                    |
| 65   | 60                  | 10   | 60                  | 10              | 41               | 17.20      | 1.60       | 76.10      | 2.00       | 132       | 44.3       | 20         | 48         | 86        | 45.7       | 12.5       | 110       | 30         | 2.4                    |
| 65   | 60                  | 15   | 60                  | 10              | 41               | 21.30      | 1.60       | 76.10      | 2.00       | 132       | 44.3       | 20         | 48         | 86        | 45.7       | 12.5       | 110       | 30         | 2.4                    |
| 65   | 60                  | 15   | 60                  | 25              | 41               | 21.30      | 1.60       | 76.10      | 2.00       | 140       | 45.7       | 20         | 54         | 89        | 48.9       | 19.0       | 134       | 30         | 4.0                    |
| 65   | 60                  | 20   | 60                  | 25              | 41               | 26.90      | 1.60       | 76.10      | 2.00       | 145       | 45.7       | 25         | 59         | 89        | 48.9       | 19.0       | 134       | 30         | 3.9                    |
| 65   | 60                  | 25   | 60                  | 25              | 41               | 33.70      | 2.00       | 76.10      | 2.00       | 145       | 45.7       | 25         | 59         | 89        | 48.9       | 19.0       | 134       | 30         | 3.9                    |
| 65   | 60                  | 32   | 60                  | 40              | 41               | 42.40      | 2.00       | 76.10      | 2.00       | 159       | 47.8       | 25         | 71         | 92        | 51.8       | 26.0       | 162       | 30         | 6.4                    |
| 65   | 60                  | 40   | 60                  | 40              | 41               | 48.30      | 2.00       | 76.10      | 2.00       | 159       | 47.8       | 25         | 71         | 92        | 51.8       | 26.0       | 162       | 30         | 6.3                    |
| 65   | 60                  | 50   | 60                  | 50              | 41               | 60.30      | 2.00       | 76.10      | 2.00       | 175       | 49.0       | 30         | 85         | 94        | 53.9       | 32.0       | 184       | 30         | 8.3                    |
| 65   | 60                  | 65   | 60                  | 80              | 41               | 76.10      | 2.00       | 76.10      | 2.00       | 201       | 50.6       | 30         | 110        | 103       | 62.6       | 62.0       | 250       | 30         | 16.7                   |
| 80   | 60                  | 8    | 60                  | 25              | 41               | 13.50      | 1.60       | 88.90      | 2.30       | 153       | 52.5       | 20         | 54         | 102       | 55.3       | 19.0       | 134       | 30         | 4.9                    |
| 80   | 60                  | 10   | 60                  | 25              | 41               | 17.20      | 1.60       | 88.90      | 2.30       | 153       | 52.5       | 20         | 54         | 102       | 55.3       | 19.0       | 134       | 30         | 4.9                    |
| 80   | 60                  | 15   | 60                  | 25              | 41               | 21.30      | 1.60       | 88.90      | 2.30       | 153       | 52.5       | 20         | 54         | 102       | 55.3       | 19.0       | 134       | 30         | 4.9                    |
| 80   | 60                  | 20   | 60                  | 25              | 41               | 26.90      | 1.60       | 88.90      | 2.30       | 158       | 52.5       | 25         | 59         | 102       | 55.3       | 19.0       | 134       | 30         | 4.8                    |
| 80   | 60                  | 25   | 60                  | 25              | 41               | 33.70      | 2.00       | 88.90      | 2.30       | 158       | 52.5       | 25         | 59         | 102       | 55.3       | 19.0       | 134       | 30         | 4.8                    |
| 80   | 60                  | 32   | 60                  | 40              | 41               | 42.40      | 2.00       | 88.90      | 2.30       | 172       | 54.6       | 25         | 71         | 105       | 58.2       | 26.0       | 162       | 30         | 7.8                    |
| 80   | 60                  | 40   | 60                  | 40              | 41               | 48.30      | 2.00       | 88.90      | 2.30       | 172       | 54.6       | 25         | 71         | 105       | 58.2       | 26.0       | 162       | 30         | 7.7                    |
| 80   | 60                  | 50   | 60                  | 50              | 41               | 60.30      | 2.00       | 88.90      | 2.30       | 188       | 55.8       | 30         | 85         | 107       | 60.3       | 32.0       | 184       | 30         | 10.1                   |
| 80   | 60                  | 65   | 60                  | 80              | 41               | 76.10      | 2.00       | 88.90      | 2.30       | 214       | 57.4       | 30         | 110        | 116       | 69.0       | 62.0       | 250       | 30         | 20.1                   |
| 80   | 60                  | 80   | 60                  | 80              | 41               | 88.90      | 2.30       | 88.90      | 2.30       | 214       | 57.4       | 30         | 110        | 116       | 69.0       | 62.0       | 250       | 30         | 19.2                   |
| 100  | 60                  | 8    | 60                  | 25              | 41               | 13.50      | 1.60       | 114.30     | 2.30       | 180       | 66.6       | 20         | 54         | 127       | 68.0       | 19.0       | 134       | 30         | 6.7                    |
| 100  | 60                  | 10   | 60                  | 25              | 41               | 17.20      | 1.60       | 114.30     | 2.30       | 180       | 66.6       | 20         | 54         | 127       | 68.0       | 19.0       | 134       | 30         | 6.7                    |

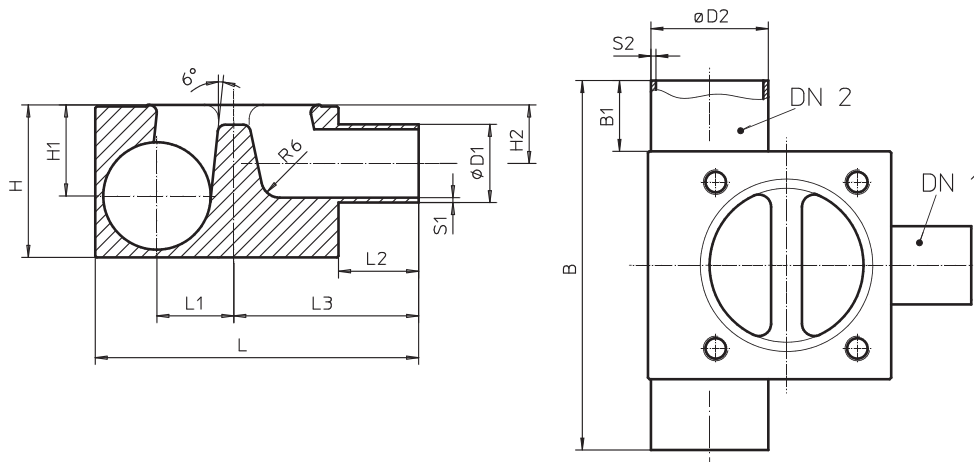
Other combinations on request

<sup>1</sup> see table Butt weld spigots on page 4, <sup>2</sup> MG = Diaphragm size, <sup>3</sup> WKZ = Valve body material code (see table on page 4),

<sup>4</sup> G = Valve body weight.

\* Note: The external geometry does not correspond to the drawing shown

# T valve bodies for EN ISO 1127 pipes



| Valve body material           | Code |
|-------------------------------|------|
| 1.4435 (316L), Block material | 41   |

The valve body dimensions for your order are clearly defined by specification of the codes in the blue columns in the given sequence.

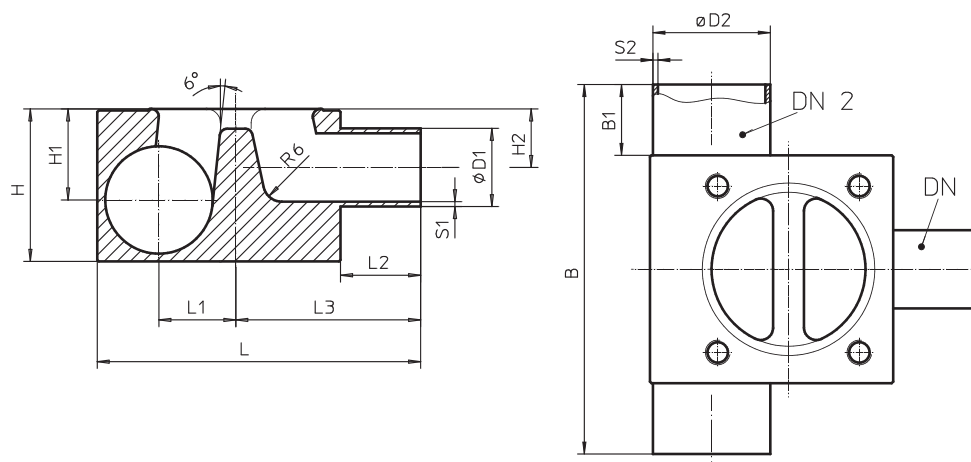
| Dimensions |                     |      |                     |                 |                  |            |            |            |            |           |            |            |            |           |            |            |           |            |                        |
|------------|---------------------|------|---------------------|-----------------|------------------|------------|------------|------------|------------|-----------|------------|------------|------------|-----------|------------|------------|-----------|------------|------------------------|
| DN 2       | Code 2 <sup>1</sup> | DN 1 | Code 1 <sup>1</sup> | MG <sup>2</sup> | WKZ <sup>3</sup> | D1<br>(mm) | S1<br>(mm) | D2<br>(mm) | S2<br>(mm) | L<br>(mm) | L1<br>(mm) | L2<br>(mm) | L3<br>(mm) | H<br>(mm) | H1<br>(mm) | H2<br>(mm) | B<br>(mm) | B1<br>(mm) | G <sup>4</sup><br>(kg) |
| 100        | 60                  | 15   | 60                  | 25              | 41               | 21.30      | 1.60       | 114.30     | 2.30       | 180       | 66.6       | 20         | 54         | 127       | 68.0       | 19.0       | 134       | 30         | 6.7                    |
| 100        | 60                  | 20   | 60                  | 25              | 41               | 26.90      | 1.60       | 114.30     | 2.30       | 185       | 66.6       | 25         | 59         | 127       | 68.0       | 19.0       | 134       | 30         | 6.6                    |
| 100        | 60                  | 25   | 60                  | 25              | 41               | 33.70      | 2.00       | 114.30     | 2.30       | 185       | 66.6       | 25         | 59         | 127       | 68.0       | 19.0       | 134       | 30         | 6.6                    |
| 100        | 60                  | 32   | 60                  | 40              | 41               | 42.40      | 2.00       | 114.30     | 2.30       | 199       | 68.7       | 25         | 71         | 130       | 70.9       | 26.0       | 162       | 30         | 10.6                   |
| 100        | 60                  | 40   | 60                  | 40              | 41               | 48.30      | 2.00       | 114.30     | 2.30       | 199       | 68.7       | 25         | 71         | 130       | 70.9       | 26.0       | 162       | 30         | 10.4                   |
| 100        | 60                  | 50   | 60                  | 50              | 41               | 60.30      | 2.00       | 114.30     | 2.30       | 215       | 69.9       | 30         | 85         | 133       | 73.0       | 32.0       | 184       | 30         | 14.0                   |
| 100        | 60                  | 65   | 60                  | 80              | 41               | 76.10      | 2.00       | 114.30     | 2.30       | 241       | 71.5       | 30         | 110        | 141       | 81.7       | 62.0       | 250       | 30         | 27.1                   |
| 100        | 60                  | 80   | 60                  | 80              | 41               | 88.90      | 2.30       | 114.30     | 2.30       | 241       | 71.5       | 30         | 110        | 141       | 81.7       | 62.0       | 250       | 30         | 26.2                   |
| 100        | 60                  | 100  | 60                  | 100             | 41               | 114.30     | 2.30       | 114.30     | 2.30       | 279       | 73.2       | 30         | 146        | 135       | 75.0       | 75.0       | 292       | 30         | 33.1                   |
| 125        | 60                  | 32   | 60                  | 40              | 41               | 42.40      | 2.00       | 139.70     | 2.60       | 225       | 82.5       | 25         | 71         | 155       | 83.6       | 26.0       | 162       | 30         | 13.7                   |
| 125        | 60                  | 40   | 60                  | 40              | 41               | 48.30      | 2.00       | 139.70     | 2.60       | 225       | 82.5       | 25         | 71         | 155       | 83.6       | 26.0       | 162       | 30         | 13.6                   |
| 125        | 60                  | 50   | 60                  | 50              | 41               | 60.30      | 2.00       | 139.70     | 2.60       | 241       | 83.7       | 30         | 85         | 158       | 85.7       | 32.0       | 184       | 30         | 18.1                   |
| 125        | 60                  | 65   | 60                  | 80              | 41               | 76.10      | 2.00       | 139.70     | 2.60       | 268       | 85.3       | 30         | 110        | 167       | 94.4       | 62.0       | 250       | 30         | 35.2                   |
| 125        | 60                  | 80   | 60                  | 80              | 41               | 88.90      | 2.30       | 139.70     | 2.60       | 268       | 85.3       | 30         | 110        | 167       | 94.4       | 62.0       | 250       | 30         | 34.3                   |
| 125        | 60                  | 100  | 60                  | 100             | 41               | 114.30     | 2.30       | 139.70     | 2.60       | 305       | 87.0       | 30         | 146        | 160       | 87.7       | 75.0       | 292       | 30         | 43.7                   |
| 150        | 60                  | 32   | 60                  | 40              | 41               | 42.40      | 2.00       | 168.30     | 2.60       | 256       | 98.4       | 25         | 71         | 184       | 97.9       | 26.0       | 162       | 30         | 17.7                   |
| 150        | 60                  | 40   | 60                  | 40              | 41               | 48.30      | 2.00       | 168.30     | 2.60       | 256       | 98.4       | 25         | 71         | 184       | 97.9       | 26.0       | 162       | 30         | 17.6                   |
| 150        | 60                  | 50   | 60                  | 50              | 41               | 60.30      | 2.00       | 168.30     | 2.60       | 271       | 99.6       | 30         | 85         | 187       | 100.0      | 32.0       | 184       | 30         | 23.2                   |
| 150        | 60                  | 65   | 60                  | 80              | 41               | 76.10      | 2.00       | 168.30     | 2.60       | 298       | 101.2      | 30         | 110        | 195       | 108.7      | 62.0       | 250       | 30         | 44.2                   |
| 150        | 60                  | 80   | 60                  | 80              | 41               | 88.90      | 2.30       | 168.30     | 2.60       | 298       | 101.2      | 30         | 110        | 195       | 108.7      | 62.0       | 250       | 30         | 43.3                   |
| 150        | 60                  | 100  | 60                  | 100             | 41               | 114.30     | 2.30       | 168.30     | 2.60       | 335       | 102.8      | 30         | 146        | 189       | 102.0      | 75.0       | 292       | 30         | 56.7                   |

**Other combinations on request**

<sup>1</sup> see table Butt weld spigots on page 4, <sup>2</sup> MG = Diaphragm size, <sup>3</sup> WKZ = Valve body material code (see table on page 4),

<sup>4</sup> G = Valve body weight.

# T valve bodies for DIN pipes



| Valve body material           | Code |
|-------------------------------|------|
| 1.4435 (ASTM A 351 CF3M)*     | 34   |
| 1.4435 (316L), Block material | 41   |

\* Material equivalency 316L

The valve body dimensions for your order are clearly defined by specification of the codes in the blue columns in the given sequence.

| Dimensions |                     |      |                     |                 |                  |         |         |         |         |        |         |         |         |        |         |         |        |         |                     |
|------------|---------------------|------|---------------------|-----------------|------------------|---------|---------|---------|---------|--------|---------|---------|---------|--------|---------|---------|--------|---------|---------------------|
| DN 2       | Code 2 <sup>1</sup> | DN 1 | Code 1 <sup>1</sup> | MG <sup>2</sup> | WKZ <sup>3</sup> | D1 (mm) | S1 (mm) | D2 (mm) | S2 (mm) | L (mm) | L1 (mm) | L2 (mm) | L3 (mm) | H (mm) | H1 (mm) | H2 (mm) | B (mm) | B1 (mm) | G <sup>4</sup> (kg) |
| 6          | 0                   | 4    | 0                   | 8               | 41               | 6.00    | 1.00    | 8.00    | 1.00    | 42     | 6.3     | 10      | 26      | 15     | 9.3     | 8.5     | 72     | 20      | 0.1                 |
| 6          | 0                   | 6    | 0                   | 8               | 41               | 8.00    | 1.00    | 8.00    | 1.00    | 52     | 6.3     | 20      | 36      | 15     | 9.3     | 8.5     | 72     | 20      | 0.1                 |
| 8          | 0                   | 4    | 0                   | 8               | 41               | 6.00    | 1.00    | 10.00   | 1.00    | 42     | 7.4     | 10      | 26      | 17     | 10.3    | 8.5     | 72     | 20      | 0.1                 |
| 8          | 0                   | 6    | 0                   | 8               | 41               | 8.00    | 1.00    | 10.00   | 1.00    | 52     | 7.4     | 20      | 36      | 17     | 10.3    | 8.5     | 72     | 20      | 0.1                 |
| 8          | 0                   | 8    | 0                   | 8               | 41               | 10.00   | 1.00    | 10.00   | 1.00    | 52     | 7.4     | 20      | 36      | 17     | 10.3    | 8.5     | 72     | 20      | 0.1                 |
| 10         | 16                  | 4    | 0                   | 8               | 41               | 6.00    | 1.00    | 12.00   | 1.00    | 42     | 8.5     | 10      | 26      | 19     | 11.3    | 8.5     | 72     | 20      | 0.1                 |
| 10         | 16                  | 6    | 0                   | 8               | 41               | 8.00    | 1.00    | 12.00   | 1.00    | 52     | 8.5     | 20      | 36      | 19     | 11.3    | 8.5     | 72     | 20      | 0.1                 |
| 10         | 16                  | 8    | 0                   | 8               | 41               | 10.00   | 1.00    | 12.00   | 1.00    | 52     | 8.5     | 20      | 36      | 19     | 11.3    | 8.5     | 72     | 20      | 0.1                 |
| 10         | 16                  | 10   | 16                  | 8               | 34*              | 12.00   | 1.00    | 12.00   | 1.00    | 52     | 8.5     | 20      | 36      | 21     | 14.0    | 8.5     | 72     | 20      | 0.1                 |
| 10         | 17                  | 4    | 0                   | 8               | 41               | 6.00    | 1.00    | 13.00   | 1.50    | 43     | 8.5     | 10      | 26      | 20     | 11.8    | 8.5     | 72     | 20      | 0.2                 |
| 10         | 17                  | 6    | 0                   | 8               | 41               | 8.00    | 1.00    | 13.00   | 1.50    | 53     | 8.5     | 20      | 36      | 20     | 11.8    | 8.5     | 72     | 20      | 0.2                 |
| 10         | 17                  | 8    | 0                   | 8               | 41               | 10.00   | 1.00    | 13.00   | 1.50    | 53     | 8.5     | 20      | 36      | 20     | 11.8    | 8.5     | 72     | 20      | 0.2                 |
| 10         | 17                  | 10   | 17                  | 8               | 34*              | 13.00   | 1.50    | 13.00   | 1.50    | 52     | 8.5     | 20      | 36      | 21     | 14.0    | 8.5     | 72     | 20      | 0.1                 |
| 15         | 16                  | 10   | 16                  | 8               | 41               | 12.00   | 1.00    | 18.00   | 1.00    | 59     | 11.8    | 20      | 36      | 25     | 14.3    | 8.5     | 72     | 20      | 0.2                 |
| 15         | 17                  | 4    | 0                   | 8               | 41               | 6.00    | 1.00    | 19.00   | 1.50    | 49     | 11.9    | 10      | 26      | 26     | 14.8    | 8.5     | 72     | 20      | 0.2                 |
| 15         | 17                  | 6    | 0                   | 8               | 41               | 8.00    | 1.00    | 19.00   | 1.50    | 59     | 11.9    | 20      | 36      | 26     | 14.8    | 8.5     | 72     | 20      | 0.2                 |
| 15         | 17                  | 8    | 0                   | 8               | 41               | 10.00   | 1.00    | 19.00   | 1.50    | 59     | 11.9    | 20      | 36      | 26     | 14.8    | 8.5     | 72     | 20      | 0.2                 |
| 15         | 17                  | 10   | 16                  | 8               | 41               | 12.00   | 1.00    | 19.00   | 1.50    | 59     | 11.9    | 20      | 36      | 26     | 14.8    | 8.5     | 72     | 20      | 0.2                 |
| 15         | 17                  | 10   | 17                  | 8               | 41               | 13.00   | 1.50    | 19.00   | 1.50    | 59     | 11.9    | 20      | 36      | 26     | 14.8    | 8.5     | 72     | 20      | 0.2                 |
| 15         | 17                  | 15   | 17                  | 10              | 41               | 19.00   | 1.50    | 19.00   | 1.50    | 75     | 13.1    | 20      | 48      | 29     | 17.1    | 12.5    | 90     | 20      | 0.5                 |
| 15         | 17                  | 15   | 17                  | 25              | 41               | 19.00   | 1.50    | 19.00   | 1.50    | 88     | 14.5    | 20      | 54      | 32     | 20.3    | 19.0    | 114    | 20      | 1.0                 |

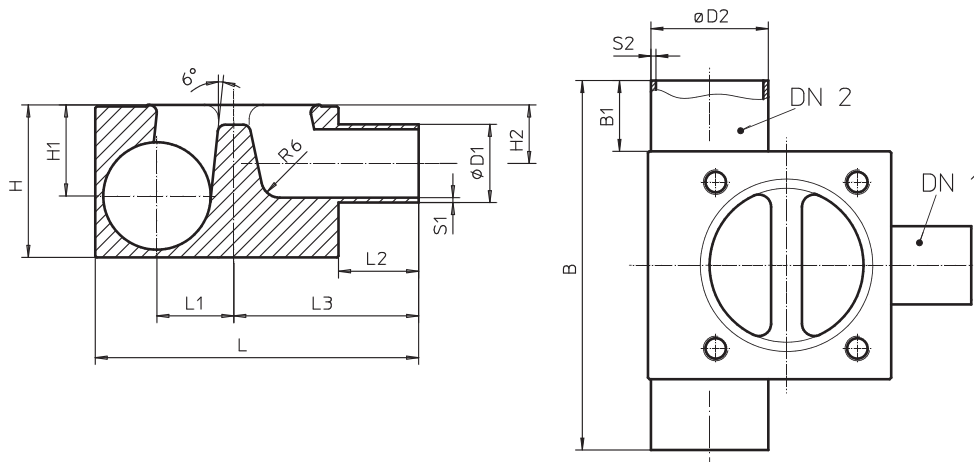
**Other combinations on request**

<sup>1</sup> see table Butt weld spigots on page 4, <sup>2</sup> MG = Diaphragm size, <sup>3</sup> WKZ = Valve body material code (see table on page 4),

<sup>4</sup> G = Valve body weight.

\* Note: The external geometry does not correspond to the drawing shown

# T valve bodies for DIN pipes



| Valve body material           | Code |
|-------------------------------|------|
| 1.4435 (316L), Block material | 41   |

The valve body dimensions for your order are clearly defined by specification of the codes in the blue columns in the given sequence.

| Dimensions |                     |      |                     |                 |                  |         |         |         |         |        |         |         |         |        |         |         |        |         |                     |
|------------|---------------------|------|---------------------|-----------------|------------------|---------|---------|---------|---------|--------|---------|---------|---------|--------|---------|---------|--------|---------|---------------------|
| DN 2       | Code 2 <sup>1</sup> | DN 1 | Code 1 <sup>1</sup> | MG <sup>2</sup> | WKZ <sup>3</sup> | D1 (mm) | S1 (mm) | D2 (mm) | S2 (mm) | L (mm) | L1 (mm) | L2 (mm) | L3 (mm) | H (mm) | H1 (mm) | H2 (mm) | B (mm) | B1 (mm) | G <sup>4</sup> (kg) |
| 20         | 17                  | 4    | 0                   | 8               | 41               | 6.00    | 1.00    | 23.00   | 1.50    | 54     | 14.1    | 10      | 26      | 30     | 16.8    | 8.5     | 82     | 25      | 0.3                 |
| 20         | 17                  | 6    | 0                   | 8               | 41               | 8.00    | 1.00    | 23.00   | 1.50    | 64     | 14.1    | 20      | 36      | 30     | 16.8    | 8.5     | 82     | 25      | 0.3                 |
| 20         | 17                  | 8    | 0                   | 8               | 41               | 10.00   | 1.00    | 23.00   | 1.50    | 64     | 14.1    | 20      | 36      | 30     | 16.8    | 8.5     | 82     | 25      | 0.3                 |
| 20         | 17                  | 10   | 16                  | 8               | 41               | 12.00   | 1.00    | 23.00   | 1.50    | 64     | 14.1    | 20      | 36      | 30     | 16.8    | 8.5     | 82     | 25      | 0.3                 |
| 20         | 17                  | 10   | 17                  | 8               | 41               | 13.00   | 1.50    | 23.00   | 1.50    | 64     | 14.1    | 20      | 36      | 30     | 16.8    | 8.5     | 82     | 25      | 0.3                 |
| 20         | 17                  | 15   | 17                  | 10              | 41               | 19.00   | 1.50    | 23.00   | 1.50    | 76     | 15.3    | 20      | 48      | 33     | 19.1    | 12.5    | 100    | 25      | 0.6                 |
| 20         | 17                  | 15   | 17                  | 25              | 41               | 19.00   | 1.50    | 23.00   | 1.50    | 88     | 16.7    | 20      | 54      | 36     | 22.3    | 19.0    | 124    | 25      | 1.2                 |
| 20         | 17                  | 20   | 17                  | 25              | 41               | 23.00   | 1.50    | 23.00   | 1.50    | 93     | 16.7    | 25      | 59      | 36     | 22.3    | 19.0    | 124    | 25      | 1.1                 |
| 25         | 17                  | 4    | 0                   | 8               | 41               | 6.00    | 1.00    | 29.00   | 1.50    | 60     | 17.4    | 10      | 26      | 36     | 19.8    | 8.5     | 82     | 25      | 0.4                 |
| 25         | 17                  | 6    | 0                   | 8               | 41               | 8.00    | 1.00    | 29.00   | 1.50    | 70     | 17.4    | 20      | 36      | 36     | 19.8    | 8.5     | 82     | 25      | 0.4                 |
| 25         | 17                  | 8    | 0                   | 8               | 41               | 10.00   | 1.00    | 29.00   | 1.50    | 70     | 17.4    | 20      | 36      | 36     | 19.8    | 8.5     | 82     | 25      | 0.4                 |
| 25         | 17                  | 10   | 16                  | 8               | 41               | 12.00   | 1.00    | 29.00   | 1.50    | 70     | 17.4    | 20      | 36      | 36     | 19.8    | 8.5     | 82     | 25      | 0.4                 |
| 25         | 17                  | 10   | 17                  | 8               | 41               | 13.00   | 1.50    | 29.00   | 1.50    | 70     | 17.4    | 20      | 36      | 36     | 19.8    | 8.5     | 82     | 25      | 0.4                 |
| 25         | 17                  | 15   | 17                  | 10              | 41               | 19.00   | 1.50    | 29.00   | 1.50    | 83     | 18.6    | 20      | 48      | 39     | 22.1    | 12.5    | 100    | 25      | 0.8                 |
| 25         | 17                  | 15   | 17                  | 25              | 41               | 19.00   | 1.50    | 29.00   | 1.50    | 91     | 20.1    | 20      | 54      | 42     | 25.3    | 19.0    | 124    | 25      | 1.3                 |
| 25         | 17                  | 20   | 17                  | 25              | 41               | 23.00   | 1.50    | 29.00   | 1.50    | 96     | 20.1    | 25      | 59      | 42     | 25.3    | 19.0    | 124    | 25      | 1.3                 |
| 25         | 17                  | 25   | 17                  | 25              | 41               | 29.00   | 1.50    | 29.00   | 1.50    | 96     | 20.1    | 25      | 59      | 42     | 25.3    | 19.0    | 124    | 25      | 1.3                 |
| 32         | 17                  | 4    | 0                   | 10              | 41               | 6.00    | 1.00    | 35.00   | 1.50    | 79     | 21.9    | 10      | 38      | 45     | 25.1    | 12.5    | 100    | 25      | 1.0                 |
| 32         | 17                  | 6    | 0                   | 10              | 41               | 8.00    | 1.00    | 35.00   | 1.50    | 89     | 21.9    | 20      | 48      | 45     | 25.1    | 12.5    | 100    | 25      | 1.0                 |
| 32         | 17                  | 8    | 0                   | 10              | 41               | 10.00   | 1.00    | 35.00   | 1.50    | 89     | 21.9    | 20      | 48      | 45     | 25.1    | 12.5    | 100    | 25      | 1.0                 |
| 32         | 17                  | 10   | 16                  | 10              | 41               | 12.00   | 1.00    | 35.00   | 1.50    | 89     | 21.9    | 20      | 48      | 45     | 25.1    | 12.5    | 100    | 25      | 1.0                 |
| 32         | 17                  | 10   | 17                  | 10              | 41               | 13.00   | 1.50    | 35.00   | 1.50    | 89     | 21.9    | 20      | 48      | 45     | 25.1    | 12.5    | 100    | 25      | 1.0                 |
| 32         | 17                  | 15   | 17                  | 10              | 41               | 19.00   | 1.50    | 35.00   | 1.50    | 89     | 21.9    | 20      | 48      | 45     | 25.1    | 12.5    | 100    | 25      | 0.9                 |
| 32         | 17                  | 15   | 17                  | 25              | 41               | 19.00   | 1.50    | 35.00   | 1.50    | 97     | 23.4    | 20      | 54      | 48     | 28.3    | 19.0    | 124    | 25      | 1.6                 |
| 32         | 17                  | 20   | 17                  | 25              | 41               | 23.00   | 1.50    | 35.00   | 1.50    | 102    | 23.4    | 25      | 59      | 48     | 28.3    | 19.0    | 124    | 25      | 1.6                 |
| 32         | 17                  | 25   | 17                  | 25              | 41               | 29.00   | 1.50    | 35.00   | 1.50    | 102    | 23.4    | 25      | 59      | 48     | 28.3    | 19.0    | 124    | 25      | 1.5                 |
| 32         | 17                  | 32   | 17                  | 40              | 41               | 35.00   | 1.50    | 35.00   | 1.50    | 117    | 25.5    | 25      | 71      | 51     | 31.2    | 26.0    | 152    | 25      | 2.8                 |

## Dimensions

| DN 2 | Code 2 <sup>1</sup> | DN 1 | Code 1 <sup>1</sup> | MG <sup>2</sup> | WKZ <sup>3</sup> | D1<br>(mm) | S1<br>(mm) | D2<br>(mm) | S2<br>(mm) | L<br>(mm) | L1<br>(mm) | L2<br>(mm) | L3<br>(mm) | H<br>(mm) | H1<br>(mm) | H2<br>(mm) | B<br>(mm) | B1<br>(mm) | G <sup>4</sup><br>(kg) |
|------|---------------------|------|---------------------|-----------------|------------------|------------|------------|------------|------------|-----------|------------|------------|------------|-----------|------------|------------|-----------|------------|------------------------|
| 40   | 17                  | 4    | 0                   | 10              | 41               | 6.00       | 1.00       | 41.00      | 1.50       | 85        | 25.3       | 10         | 38         | 51        | 28.1       | 12.5       | 100       | 25         | 1.1                    |
| 40   | 17                  | 6    | 0                   | 10              | 41               | 8.00       | 1.00       | 41.00      | 1.50       | 95        | 25.3       | 20         | 48         | 51        | 28.1       | 12.5       | 100       | 25         | 1.1                    |
| 40   | 17                  | 8    | 0                   | 10              | 41               | 10.00      | 1.00       | 41.00      | 1.50       | 95        | 25.3       | 20         | 48         | 51        | 28.1       | 12.5       | 100       | 25         | 1.1                    |
| 40   | 17                  | 10   | 16                  | 10              | 41               | 12.00      | 1.00       | 41.00      | 1.50       | 95        | 25.3       | 20         | 48         | 51        | 28.1       | 12.5       | 100       | 25         | 1.1                    |
| 40   | 17                  | 10   | 17                  | 10              | 41               | 13.00      | 1.50       | 41.00      | 1.50       | 95        | 25.3       | 20         | 48         | 51        | 28.1       | 12.5       | 100       | 25         | 1.1                    |
| 40   | 17                  | 15   | 17                  | 10              | 41               | 19.00      | 1.50       | 41.00      | 1.50       | 95        | 25.3       | 20         | 48         | 51        | 28.1       | 12.5       | 100       | 25         | 1.1                    |
| 40   | 17                  | 15   | 17                  | 25              | 41               | 19.00      | 1.50       | 41.00      | 1.50       | 103       | 26.7       | 20         | 54         | 54        | 31.3       | 19.0       | 124       | 25         | 1.9                    |
| 40   | 17                  | 20   | 17                  | 25              | 41               | 23.00      | 1.50       | 41.00      | 1.50       | 108       | 26.7       | 25         | 59         | 54        | 31.3       | 19.0       | 124       | 25         | 1.9                    |
| 40   | 17                  | 25   | 17                  | 25              | 41               | 29.00      | 1.50       | 41.00      | 1.50       | 108       | 26.7       | 25         | 59         | 54        | 31.3       | 19.0       | 124       | 25         | 1.8                    |
| 40   | 17                  | 32   | 17                  | 40              | 41               | 35.00      | 1.50       | 41.00      | 1.50       | 122       | 28.8       | 25         | 71         | 57        | 34.2       | 26.0       | 152       | 25         | 3.2                    |
| 40   | 17                  | 40   | 17                  | 40              | 41               | 41.00      | 1.50       | 41.00      | 1.50       | 122       | 28.8       | 25         | 71         | 57        | 34.2       | 26.0       | 152       | 25         | 3.1                    |
| 50   | 17                  | 4    | 0                   | 10              | 41               | 6.00       | 1.00       | 53.00      | 1.50       | 98        | 31.9       | 10         | 38         | 63        | 34.1       | 12.5       | 110       | 30         | 1.5                    |
| 50   | 17                  | 6    | 0                   | 10              | 41               | 8.00       | 1.00       | 53.00      | 1.50       | 108       | 31.9       | 20         | 48         | 63        | 34.1       | 12.5       | 110       | 30         | 1.5                    |
| 50   | 17                  | 8    | 0                   | 10              | 41               | 10.00      | 1.00       | 53.00      | 1.50       | 108       | 31.9       | 20         | 48         | 63        | 34.1       | 12.5       | 110       | 30         | 1.5                    |
| 50   | 17                  | 10   | 16                  | 10              | 41               | 12.00      | 1.00       | 53.00      | 1.50       | 108       | 31.9       | 20         | 48         | 63        | 34.1       | 12.5       | 110       | 30         | 1.5                    |
| 50   | 17                  | 10   | 17                  | 10              | 41               | 13.00      | 1.50       | 53.00      | 1.50       | 108       | 31.9       | 20         | 48         | 63        | 34.1       | 12.5       | 110       | 30         | 1.5                    |
| 50   | 17                  | 15   | 17                  | 10              | 41               | 19.00      | 1.50       | 53.00      | 1.50       | 108       | 31.9       | 20         | 48         | 63        | 34.1       | 12.5       | 110       | 30         | 1.5                    |
| 50   | 17                  | 15   | 17                  | 25              | 41               | 19.00      | 1.50       | 53.00      | 1.50       | 116       | 33.4       | 20         | 54         | 66        | 37.3       | 19.0       | 134       | 30         | 2.6                    |
| 50   | 17                  | 20   | 17                  | 25              | 41               | 23.00      | 1.50       | 53.00      | 1.50       | 121       | 33.4       | 25         | 59         | 66        | 37.3       | 19.0       | 134       | 30         | 2.5                    |
| 50   | 17                  | 25   | 17                  | 25              | 41               | 29.00      | 1.50       | 53.00      | 1.50       | 121       | 33.4       | 25         | 59         | 66        | 37.3       | 19.0       | 134       | 30         | 2.5                    |
| 50   | 17                  | 32   | 17                  | 40              | 41               | 35.00      | 1.50       | 53.00      | 1.50       | 135       | 35.5       | 25         | 71         | 69        | 40.2       | 26.0       | 162       | 30         | 4.3                    |
| 50   | 17                  | 40   | 17                  | 40              | 41               | 41.00      | 1.50       | 53.00      | 1.50       | 135       | 35.5       | 25         | 71         | 69        | 40.2       | 26.0       | 162       | 30         | 4.1                    |
| 50   | 17                  | 50   | 17                  | 50              | 41               | 53.00      | 1.50       | 53.00      | 1.50       | 151       | 36.7       | 30         | 85         | 71        | 42.3       | 32.0       | 184       | 30         | 5.5                    |
| 65   | 17                  | 4    | 0                   | 10              | 41               | 6.00       | 1.00       | 70.00      | 2.00       | 115       | 40.9       | 10         | 38         | 80        | 42.6       | 12.5       | 110       | 30         | 2.2                    |
| 65   | 17                  | 6    | 0                   | 10              | 41               | 8.00       | 1.00       | 70.00      | 2.00       | 125       | 40.9       | 20         | 48         | 80        | 42.6       | 12.5       | 110       | 30         | 2.2                    |
| 65   | 17                  | 8    | 0                   | 10              | 41               | 10.00      | 1.00       | 70.00      | 2.00       | 125       | 40.9       | 20         | 48         | 80        | 42.6       | 12.5       | 110       | 30         | 2.2                    |
| 65   | 17                  | 10   | 16                  | 10              | 41               | 12.00      | 1.00       | 70.00      | 2.00       | 125       | 40.9       | 20         | 48         | 80        | 42.6       | 12.5       | 110       | 30         | 2.2                    |
| 65   | 17                  | 10   | 17                  | 10              | 41               | 13.00      | 1.50       | 70.00      | 2.00       | 125       | 40.9       | 20         | 48         | 80        | 42.6       | 12.5       | 110       | 30         | 2.2                    |
| 65   | 17                  | 15   | 17                  | 10              | 41               | 19.00      | 1.50       | 70.00      | 2.00       | 125       | 40.9       | 20         | 48         | 80        | 42.6       | 12.5       | 110       | 30         | 2.1                    |
| 65   | 17                  | 15   | 17                  | 25              | 41               | 19.00      | 1.50       | 70.00      | 2.00       | 133       | 42.3       | 20         | 54         | 83        | 45.8       | 19.0       | 134       | 30         | 3.6                    |
| 65   | 17                  | 20   | 17                  | 25              | 41               | 23.00      | 1.50       | 70.00      | 2.00       | 138       | 42.3       | 25         | 59         | 83        | 45.8       | 19.0       | 134       | 30         | 3.6                    |
| 65   | 17                  | 25   | 17                  | 25              | 41               | 29.00      | 1.50       | 70.00      | 2.00       | 138       | 42.3       | 25         | 59         | 83        | 45.8       | 19.0       | 134       | 30         | 3.5                    |
| 65   | 17                  | 32   | 17                  | 40              | 41               | 35.00      | 1.50       | 70.00      | 2.00       | 152       | 44.4       | 25         | 71         | 86        | 48.7       | 26.0       | 162       | 30         | 5.9                    |
| 65   | 17                  | 40   | 17                  | 40              | 41               | 41.00      | 1.50       | 70.00      | 2.00       | 152       | 44.4       | 25         | 71         | 86        | 48.7       | 26.0       | 162       | 30         | 5.8                    |
| 65   | 17                  | 50   | 17                  | 50              | 41               | 53.00      | 1.50       | 70.00      | 2.00       | 168       | 45.6       | 30         | 85         | 88        | 50.8       | 32.0       | 184       | 30         | 7.6                    |
| 65   | 17                  | 65   | 17                  | 80              | 41               | 70.00      | 2.00       | 70.00      | 2.00       | 195       | 47.2       | 30         | 110        | 100       | 59.5       | 62.0       | 250       | 30         | 16.4                   |
| 80   | 17                  | 4    | 0                   | 25              | 41               | 6.00       | 1.00       | 85.00      | 2.00       | 139       | 50.7       | 10         | 44         | 98        | 53.3       | 19.0       | 134       | 30         | 4.6                    |
| 80   | 17                  | 6    | 0                   | 25              | 41               | 8.00       | 1.00       | 85.00      | 2.00       | 149       | 50.7       | 20         | 54         | 98        | 53.3       | 19.0       | 134       | 30         | 4.6                    |
| 80   | 17                  | 8    | 0                   | 25              | 41               | 10.00      | 1.00       | 85.00      | 2.00       | 149       | 50.7       | 20         | 54         | 98        | 53.3       | 19.0       | 134       | 30         | 4.6                    |
| 80   | 17                  | 10   | 16                  | 25              | 41               | 12.00      | 1.00       | 85.00      | 2.00       | 149       | 50.7       | 20         | 54         | 98        | 53.3       | 19.0       | 134       | 30         | 4.6                    |
| 80   | 17                  | 10   | 17                  | 25              | 41               | 13.00      | 1.50       | 85.00      | 2.00       | 149       | 50.7       | 20         | 54         | 98        | 53.3       | 19.0       | 134       | 30         | 4.6                    |
| 80   | 17                  | 15   | 17                  | 25              | 41               | 19.00      | 1.50       | 85.00      | 2.00       | 149       | 50.7       | 20         | 54         | 98        | 53.3       | 19.0       | 134       | 30         | 4.5                    |
| 80   | 17                  | 20   | 17                  | 25              | 41               | 23.00      | 1.50       | 85.00      | 2.00       | 154       | 50.7       | 25         | 59         | 98        | 53.3       | 19.0       | 134       | 30         | 4.5                    |
| 80   | 17                  | 25   | 17                  | 25              | 41               | 29.00      | 1.50       | 85.00      | 2.00       | 154       | 50.7       | 25         | 59         | 98        | 53.3       | 19.0       | 134       | 30         | 4.5                    |

## Other combinations on request

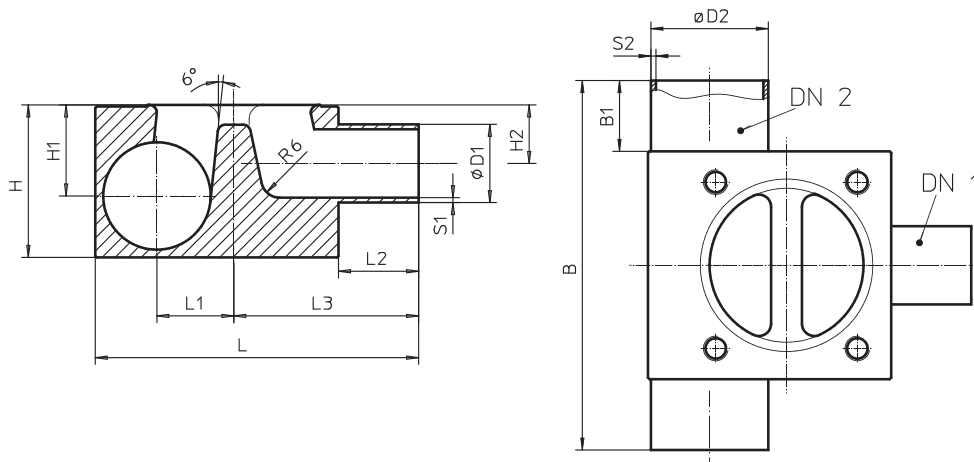
<sup>1</sup> see table Butt weld spigots on page 4, <sup>2</sup> MG = Diaphragm size, <sup>3</sup> WKZ = Valve body material code (see table on page 4),

<sup>4</sup> G = Valve body weight.

Dimensions for code 1A (DIN 11864 series A) are identical with code 17.



# T valve bodies for DIN pipes



| Valve body material           | Code |
|-------------------------------|------|
| 1.4435 (316L), Block material | 41   |

The valve body dimensions for your order are clearly defined by specification of the codes in the blue columns in the given sequence.

| Dimensions |                     |      |                     |                 |                  |         |         |         |         |        |         |         |         |        |         |         |        |         |                     |
|------------|---------------------|------|---------------------|-----------------|------------------|---------|---------|---------|---------|--------|---------|---------|---------|--------|---------|---------|--------|---------|---------------------|
| DN 2       | Code 2 <sup>1</sup> | DN 1 | Code 1 <sup>1</sup> | MG <sup>2</sup> | WKZ <sup>3</sup> | D1 (mm) | S1 (mm) | D2 (mm) | S2 (mm) | L (mm) | L1 (mm) | L2 (mm) | L3 (mm) | H (mm) | H1 (mm) | H2 (mm) | B (mm) | B1 (mm) | G <sup>4</sup> (kg) |
| 80         | 17                  | 32   | 17                  | 40              | 41               | 35.00   | 1.50    | 85.00   | 2.00    | 168    | 52.8    | 25      | 71      | 101    | 56.2    | 26.0    | 162    | 30      | 7.4                 |
| 80         | 17                  | 40   | 17                  | 40              | 41               | 41.00   | 1.50    | 85.00   | 2.00    | 168    | 52.8    | 25      | 71      | 101    | 56.2    | 26.0    | 162    | 30      | 7.3                 |
| 80         | 17                  | 50   | 17                  | 50              | 41               | 53.00   | 1.50    | 85.00   | 2.00    | 184    | 54.0    | 30      | 85      | 103    | 58.3    | 32.0    | 184    | 30      | 9.6                 |
| 80         | 17                  | 65   | 17                  | 80              | 41               | 70.00   | 2.00    | 85.00   | 2.00    | 211    | 55.5    | 30      | 110     | 112    | 67.0    | 62.0    | 250    | 30      | 19.5                |
| 80         | 17                  | 80   | 17                  | 80              | 41               | 85.00   | 2.00    | 85.00   | 2.00    | 211    | 55.5    | 30      | 110     | 112    | 67.0    | 62.0    | 250    | 30      | 18.4                |
| 100        | 17                  | 4    | 0                   | 25              | 41               | 6.00    | 1.00    | 104.00  | 2.00    | 159    | 61.2    | 10      | 44      | 117    | 62.8    | 19.0    | 134    | 30      | 5.9                 |
| 100        | 17                  | 6    | 0                   | 25              | 41               | 8.00    | 1.00    | 104.00  | 2.00    | 169    | 61.2    | 20      | 54      | 117    | 62.8    | 19.0    | 134    | 30      | 5.9                 |
| 100        | 17                  | 8    | 0                   | 25              | 41               | 10.00   | 1.00    | 104.00  | 2.00    | 169    | 61.2    | 20      | 54      | 117    | 62.8    | 19.0    | 134    | 30      | 5.9                 |
| 100        | 17                  | 10   | 16                  | 25              | 41               | 12.00   | 1.00    | 104.00  | 2.00    | 169    | 61.2    | 20      | 54      | 117    | 62.8    | 19.0    | 134    | 30      | 5.9                 |
| 100        | 17                  | 10   | 17                  | 25              | 41               | 13.00   | 1.50    | 104.00  | 2.00    | 169    | 61.2    | 20      | 54      | 117    | 62.8    | 19.0    | 134    | 30      | 5.9                 |
| 100        | 17                  | 15   | 17                  | 25              | 41               | 19.00   | 1.50    | 104.00  | 2.00    | 169    | 61.2    | 20      | 54      | 117    | 62.8    | 19.0    | 134    | 30      | 5.8                 |
| 100        | 17                  | 20   | 17                  | 25              | 41               | 23.00   | 1.50    | 104.00  | 2.00    | 174    | 61.2    | 25      | 59      | 117    | 62.8    | 19.0    | 134    | 30      | 5.8                 |
| 100        | 17                  | 25   | 17                  | 25              | 41               | 29.00   | 1.50    | 104.00  | 2.00    | 174    | 61.2    | 25      | 59      | 117    | 62.8    | 19.0    | 134    | 30      | 5.7                 |
| 100        | 17                  | 32   | 17                  | 40              | 41               | 35.00   | 1.50    | 104.00  | 2.00    | 188    | 63.3    | 25      | 71      | 120    | 65.7    | 26.0    | 162    | 30      | 9.4                 |
| 100        | 17                  | 40   | 17                  | 40              | 41               | 41.00   | 1.50    | 104.00  | 2.00    | 188    | 63.3    | 25      | 71      | 120    | 65.7    | 26.0    | 162    | 30      | 9.3                 |
| 100        | 17                  | 50   | 17                  | 50              | 41               | 53.00   | 1.50    | 104.00  | 2.00    | 204    | 64.5    | 30      | 85      | 122    | 67.8    | 32.0    | 184    | 30      | 12.3                |
| 100        | 17                  | 65   | 17                  | 80              | 41               | 70.00   | 2.00    | 104.00  | 2.00    | 231    | 66.1    | 30      | 110     | 131    | 76.5    | 62.0    | 250    | 30      | 24.7                |
| 100        | 17                  | 80   | 17                  | 80              | 41               | 85.00   | 2.00    | 104.00  | 2.00    | 231    | 66.1    | 30      | 110     | 131    | 76.5    | 62.0    | 250    | 30      | 23.6                |
| 100        | 17                  | 100  | 17                  | 100             | 41               | 104.00  | 2.00    | 104.00  | 2.00    | 268    | 67.7    | 30      | 146     | 124    | 69.8    | 69.8    | 292    | 30      | 29.8                |
| 125        | 17                  | 32   | 17                  | 40              | 41               | 35.00   | 1.50    | 129.00  | 2.00    | 215    | 77.2    | 25      | 71      | 145    | 78.2    | 26.0    | 162    | 30      | 12.4                |
| 125        | 17                  | 40   | 17                  | 40              | 41               | 41.00   | 1.50    | 129.00  | 2.00    | 215    | 77.2    | 25      | 71      | 145    | 78.2    | 26.0    | 162    | 30      | 12.3                |
| 125        | 17                  | 50   | 17                  | 50              | 41               | 53.00   | 1.50    | 129.00  | 2.00    | 230    | 78.4    | 30      | 85      | 147    | 80.3    | 32.0    | 184    | 30      | 16.1                |
| 125        | 17                  | 65   | 17                  | 80              | 41               | 70.00   | 2.00    | 129.00  | 2.00    | 257    | 79.9    | 30      | 110     | 156    | 89.0    | 62.0    | 250    | 30      | 31.9                |
| 125        | 17                  | 80   | 17                  | 80              | 41               | 85.00   | 2.00    | 129.00  | 2.00    | 257    | 79.9    | 30      | 110     | 156    | 89.0    | 62.0    | 250    | 30      | 30.8                |
| 125        | 17                  | 100  | 17                  | 100             | 41               | 104.00  | 2.00    | 129.00  | 2.00    | 295    | 81.6    | 30      | 146     | 149    | 82.3    | 69.8    | 292    | 30      | 40.2                |

## Dimensions

| DN 2 | Code 2 <sup>1</sup> | DN 1 | Code 1 <sup>1</sup> | MG <sup>2</sup> | WKZ <sup>3</sup> | D1<br>(mm) | S1<br>(mm) | D2<br>(mm) | S2<br>(mm) | L<br>(mm) | L1<br>(mm) | L2<br>(mm) | L3<br>(mm) | H<br>(mm) | H1<br>(mm) | H2<br>(mm) | B<br>(mm) | B1<br>(mm) | G <sup>4</sup><br>(kg) |
|------|---------------------|------|---------------------|-----------------|------------------|------------|------------|------------|------------|-----------|------------|------------|------------|-----------|------------|------------|-----------|------------|------------------------|
| 150  | 17                  | 32   | 17                  | 40              | 41               | 35.00      | 1.50       | 154.00     | 2.00       | 241       | 91.1       | 25         | 71         | 170       | 90.7       | 26.0       | 162       | 30         | 15.6                   |
| 150  | 17                  | 40   | 17                  | 40              | 41               | 41.00      | 1.50       | 154.00     | 2.00       | 241       | 91.1       | 25         | 71         | 170       | 90.7       | 26.0       | 162       | 30         | 15.4                   |
| 150  | 17                  | 50   | 17                  | 50              | 41               | 53.00      | 1.50       | 154.00     | 2.00       | 257       | 92.3       | 30         | 85         | 172       | 92.8       | 32.0       | 184       | 30         | 20.4                   |
| 150  | 17                  | 65   | 17                  | 80              | 41               | 70.00      | 2.00       | 154.00     | 2.00       | 283       | 93.8       | 30         | 110        | 181       | 101.5      | 62.0       | 250       | 30         | 39.5                   |
| 150  | 17                  | 80   | 17                  | 80              | 41               | 85.00      | 2.00       | 154.00     | 2.00       | 283       | 93.8       | 30         | 110        | 181       | 101.5      | 62.0       | 250       | 30         | 38.4                   |
| 150  | 17                  | 100  | 17                  | 100             | 41               | 104.00     | 2.00       | 154.00     | 2.00       | 321       | 95.5       | 30         | 146        | 174       | 94.8       | 69.8       | 292       | 30         | 50.9                   |

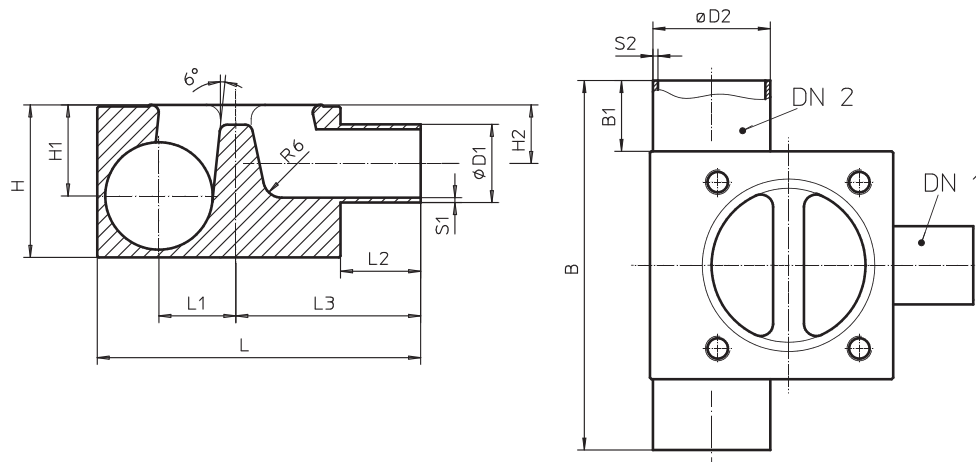
## Other combinations on request

<sup>1</sup> see table Butt weld spigots on page 4, <sup>2</sup> MG = Diaphragm size, <sup>3</sup> WKZ = Valve body material code (see table on page 4),

<sup>4</sup> G = Valve body weight.

Dimensions for code 1A (DIN 11864 series A) are identical with code 17.

# T valve bodies for ASME - BPE pipes



| Valve body material           | Code |
|-------------------------------|------|
| 1.4435 (316L), Block material | 41   |

The valve body dimensions for your order are clearly defined by specification of the codes in the blue columns in the given sequence.

### Dimensions

| DN 2 | Code 2 <sup>1</sup> | DN 1 | Code 1 <sup>1</sup> | MG <sup>2</sup> | WKZ <sup>3</sup> | D1 (mm) | S1 (mm) | D2 (mm) | S2 (mm) | L (mm) | L1 (mm) | L2 (mm) | L3 (mm) | H (mm) | H1 (mm) | H2 (mm) | B (mm) | B1 (mm) | G <sup>4</sup> (kg) |
|------|---------------------|------|---------------------|-----------------|------------------|---------|---------|---------|---------|--------|---------|---------|---------|--------|---------|---------|--------|---------|---------------------|
| 8    | 59                  | 8    | 59                  | 8               | 41               | 6.35    | 0.89    | 6.35    | 0.89    | 42     | 5.5     | 10      | 26      | 14     | 8.5     | 8.5     | 52     | 10      | 0.1                 |
| 10   | 59                  | 8    | 59                  | 8               | 41               | 6.35    | 0.89    | 9.53    | 0.89    | 42     | 7.2     | 10      | 26      | 17     | 10.1    | 8.5     | 72     | 20      | 0.1                 |
| 10   | 59                  | 10   | 59                  | 8               | 41               | 9.53    | 0.89    | 9.53    | 0.89    | 52     | 7.2     | 20      | 36      | 17     | 10.1    | 8.5     | 72     | 20      | 0.1                 |
| 15   | 59                  | 8    | 59                  | 8               | 41               | 6.35    | 0.89    | 12.70   | 1.65    | 43     | 8.2     | 10      | 26      | 20     | 11.7    | 8.5     | 72     | 20      | 0.2                 |
| 15   | 59                  | 10   | 59                  | 8               | 41               | 9.53    | 0.89    | 12.70   | 1.65    | 53     | 8.2     | 20      | 36      | 20     | 11.7    | 8.5     | 72     | 20      | 0.2                 |
| 15   | 59                  | 15   | 59                  | 8               | 34               | 12.70   | 1.65    | 12.70   | 1.65    | 52     | 8.5     | 20      | 36      | 21     | 14.0    | 8.5     | 72     | 20      | 0.1                 |
| 20   | 59                  | 8    | 59                  | 8               | 41               | 6.35    | 0.89    | 19.05   | 1.65    | 49     | 11.7    | 10      | 26      | 26     | 14.8    | 8.5     | 82     | 25      | 0.2                 |
| 20   | 59                  | 10   | 59                  | 8               | 41               | 9.53    | 0.89    | 19.05   | 1.65    | 59     | 11.7    | 20      | 36      | 26     | 14.8    | 8.5     | 82     | 25      | 0.2                 |
| 20   | 59                  | 15   | 59                  | 8               | 41               | 12.70   | 1.65    | 19.05   | 1.65    | 59     | 11.7    | 20      | 36      | 26     | 14.8    | 8.5     | 82     | 25      | 0.2                 |
| 20   | 59                  | 20   | 59                  | 10              | 41               | 19.05   | 1.65    | 19.05   | 1.65    | 80     | 12.9    | 25      | 53      | 29     | 17.1    | 12.5    | 100    | 25      | 0.6                 |
| 25   | 59                  | 8    | 59                  | 8               | 41               | 6.35    | 0.89    | 25.40   | 1.65    | 56     | 15.3    | 10      | 26      | 33     | 18.0    | 8.5     | 82     | 25      | 0.3                 |
| 25   | 59                  | 10   | 59                  | 8               | 41               | 9.53    | 0.89    | 25.40   | 1.65    | 66     | 15.3    | 20      | 36      | 33     | 18.0    | 8.5     | 82     | 25      | 0.3                 |
| 25   | 59                  | 15   | 59                  | 8               | 41               | 12.70   | 1.65    | 25.40   | 1.65    | 66     | 15.3    | 20      | 36      | 33     | 18.0    | 8.5     | 82     | 25      | 0.3                 |
| 25   | 59                  | 20   | 59                  | 10              | 41               | 19.05   | 1.65    | 25.40   | 1.65    | 84     | 16.5    | 25      | 53      | 35     | 20.3    | 12.5    | 100    | 25      | 0.7                 |
| 25   | 59                  | 20   | 59                  | 25              | 41               | 19.05   | 1.65    | 25.40   | 1.65    | 93     | 17.9    | 25      | 59      | 38     | 23.5    | 19.0    | 124    | 25      | 1.2                 |
| 25   | 59                  | 25   | 59                  | 25              | 41               | 25.40   | 1.65    | 25.40   | 1.65    | 93     | 17.9    | 25      | 59      | 38     | 23.5    | 19.0    | 124    | 25      | 1.2                 |
| 40   | 59                  | 8    | 59                  | 10              | 41               | 6.35    | 0.89    | 38.10   | 1.65    | 82     | 23.5    | 10      | 38      | 48     | 26.7    | 12.5    | 100    | 25      | 1.1                 |
| 40   | 59                  | 10   | 59                  | 10              | 41               | 9.53    | 0.89    | 38.10   | 1.65    | 92     | 23.5    | 20      | 48      | 48     | 26.7    | 12.5    | 100    | 25      | 1.1                 |
| 40   | 59                  | 15   | 59                  | 10              | 41               | 12.70   | 1.65    | 38.10   | 1.65    | 92     | 23.5    | 20      | 48      | 48     | 26.7    | 12.5    | 100    | 25      | 1.1                 |
| 40   | 59                  | 20   | 59                  | 10              | 41               | 19.05   | 1.65    | 38.10   | 1.65    | 97     | 23.5    | 25      | 53      | 48     | 26.7    | 12.5    | 100    | 25      | 1.0                 |
| 40   | 59                  | 20   | 59                  | 25              | 41               | 19.05   | 1.65    | 38.10   | 1.65    | 105    | 25.0    | 25      | 59      | 51     | 29.9    | 19.0    | 124    | 25      | 1.8                 |
| 40   | 59                  | 25   | 59                  | 25              | 41               | 25.40   | 1.65    | 38.10   | 1.65    | 105    | 25.0    | 25      | 59      | 51     | 29.9    | 19.0    | 124    | 25      | 1.7                 |
| 40   | 59                  | 40   | 59                  | 40              | 41               | 38.10   | 1.65    | 38.10   | 1.65    | 119    | 27.1    | 25      | 71      | 54     | 32.8    | 26.0    | 152    | 25      | 2.9                 |
| 50   | 59                  | 8    | 59                  | 10              | 41               | 6.35    | 0.89    | 50.80   | 1.65    | 95     | 30.6    | 10      | 38      | 60     | 33.0    | 12.5    | 110    | 30      | 1.4                 |
| 50   | 59                  | 10   | 59                  | 10              | 41               | 9.53    | 0.89    | 50.80   | 1.65    | 105    | 30.6    | 20      | 48      | 60     | 33.0    | 12.5    | 110    | 30      | 1.4                 |

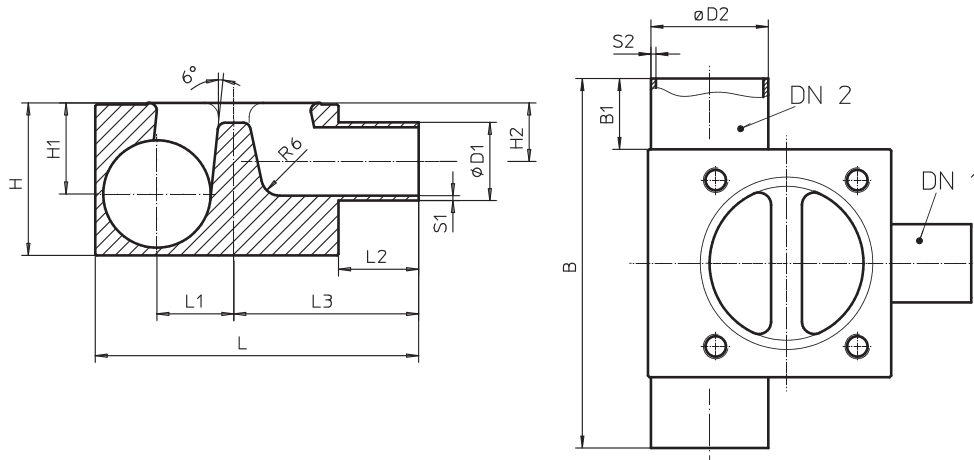
## Dimensions

| DN 2 | Code 2 <sup>1</sup> | DN 1 | Code 1 <sup>1</sup> | MG <sup>2</sup> | WKZ <sup>3</sup> | D1<br>(mm) | S1<br>(mm) | D2<br>(mm) | S2<br>(mm) | L<br>(mm) | L1<br>(mm) | L2<br>(mm) | L3<br>(mm) | H<br>(mm) | H1<br>(mm) | H2<br>(mm) | B<br>(mm) | B1<br>(mm) | G <sup>4</sup><br>(kg) |
|------|---------------------|------|---------------------|-----------------|------------------|------------|------------|------------|------------|-----------|------------|------------|------------|-----------|------------|------------|-----------|------------|------------------------|
| 50   | 59                  | 15   | 59                  | 10              | 41               | 12.70      | 1.65       | 50.80      | 1.65       | 105       | 30.6       | 20         | 48         | 60        | 33.0       | 12.5       | 110       | 30         | 1.4                    |
| 50   | 59                  | 20   | 59                  | 10              | 41               | 19.05      | 1.65       | 50.80      | 1.65       | 110       | 30.6       | 25         | 53         | 60        | 33.0       | 12.5       | 110       | 30         | 1.4                    |
| 50   | 59                  | 20   | 59                  | 25              | 41               | 19.05      | 1.65       | 50.80      | 1.65       | 118       | 32.0       | 25         | 59         | 64        | 36.2       | 19.0       | 134       | 30         | 2.5                    |
| 50   | 59                  | 25   | 59                  | 25              | 41               | 25.40      | 1.65       | 50.80      | 1.65       | 118       | 32.0       | 25         | 59         | 64        | 36.2       | 19.0       | 134       | 30         | 2.4                    |
| 50   | 59                  | 40   | 59                  | 40              | 41               | 38.10      | 1.65       | 50.80      | 1.65       | 133       | 34.1       | 25         | 71         | 66        | 39.1       | 26.0       | 162       | 30         | 4.0                    |
| 50   | 59                  | 50   | 59                  | 50              | 41               | 50.80      | 1.65       | 50.80      | 1.65       | 148       | 35.3       | 30         | 85         | 69        | 41.2       | 32.0       | 184       | 30         | 5.3                    |
| 65   | 59                  | 8    | 59                  | 10              | 41               | 6.35       | 0.89       | 63.50      | 1.65       | 109       | 37.6       | 10         | 38         | 73        | 39.4       | 12.5       | 110       | 30         | 1.9                    |
| 65   | 59                  | 10   | 59                  | 10              | 41               | 9.53       | 0.89       | 63.50      | 1.65       | 119       | 37.6       | 20         | 48         | 73        | 39.4       | 12.5       | 110       | 30         | 1.9                    |
| 65   | 59                  | 15   | 59                  | 10              | 41               | 12.70      | 1.65       | 63.50      | 1.65       | 119       | 37.6       | 20         | 48         | 73        | 39.4       | 12.5       | 110       | 30         | 1.9                    |
| 65   | 59                  | 20   | 59                  | 10              | 41               | 19.05      | 1.65       | 63.50      | 1.65       | 124       | 37.6       | 25         | 53         | 73        | 39.4       | 12.5       | 110       | 30         | 1.9                    |
| 65   | 59                  | 20   | 59                  | 25              | 41               | 19.05      | 1.65       | 63.50      | 1.65       | 132       | 39.1       | 25         | 59         | 76        | 42.6       | 19.0       | 134       | 30         | 3.1                    |
| 65   | 59                  | 25   | 59                  | 25              | 41               | 25.40      | 1.65       | 63.50      | 1.65       | 132       | 39.1       | 25         | 59         | 76        | 42.6       | 19.0       | 134       | 30         | 3.1                    |
| 65   | 59                  | 40   | 59                  | 40              | 41               | 38.10      | 1.65       | 63.50      | 1.65       | 146       | 41.2       | 25         | 71         | 79        | 45.5       | 26.0       | 162       | 30         | 5.1                    |
| 65   | 59                  | 50   | 59                  | 50              | 41               | 50.80      | 1.65       | 63.50      | 1.65       | 162       | 42.4       | 30         | 85         | 82        | 47.6       | 32.0       | 184       | 30         | 6.9                    |
| 65   | 59                  | 65   | 59                  | 80              | 41               | 63.50      | 1.65       | 63.50      | 1.65       | 190       | 43.9       | 30         | 110        | 96        | 56.3       | 62.0       | 250       | 30         | 15.8                   |
| 80   | 59                  | 8    | 59                  | 25              | 41               | 6.35       | 0.89       | 76.20      | 1.65       | 130       | 46.1       | 10         | 44         | 89        | 48.9       | 19.0       | 134       | 30         | 3.9                    |
| 80   | 59                  | 10   | 59                  | 25              | 41               | 9.53       | 0.89       | 76.20      | 1.65       | 140       | 46.1       | 20         | 54         | 89        | 48.9       | 19.0       | 134       | 30         | 3.9                    |
| 80   | 59                  | 15   | 59                  | 25              | 41               | 12.70      | 1.65       | 76.20      | 1.65       | 140       | 46.1       | 20         | 54         | 89        | 48.9       | 19.0       | 134       | 30         | 3.9                    |
| 80   | 59                  | 20   | 59                  | 25              | 41               | 19.05      | 1.65       | 76.20      | 1.65       | 145       | 46.1       | 25         | 59         | 89        | 48.9       | 19.0       | 134       | 30         | 3.9                    |
| 80   | 59                  | 25   | 59                  | 25              | 41               | 25.40      | 1.65       | 76.20      | 1.65       | 145       | 46.1       | 25         | 59         | 89        | 48.9       | 19.0       | 134       | 30         | 3.8                    |
| 80   | 59                  | 40   | 59                  | 40              | 41               | 38.10      | 1.65       | 76.20      | 1.65       | 159       | 48.2       | 25         | 71         | 92        | 51.8       | 26.0       | 162       | 30         | 6.3                    |
| 80   | 59                  | 50   | 59                  | 50              | 41               | 50.80      | 1.65       | 76.20      | 1.65       | 175       | 49.4       | 30         | 85         | 94        | 53.9       | 32.0       | 184       | 30         | 8.4                    |
| 80   | 59                  | 65   | 59                  | 80              | 41               | 63.50      | 1.65       | 76.20      | 1.65       | 202       | 51.0       | 30         | 110        | 103       | 62.6       | 62.0       | 250       | 30         | 17.4                   |
| 80   | 59                  | 80   | 59                  | 80              | 41               | 76.20      | 1.65       | 76.20      | 1.65       | 202       | 51.0       | 30         | 110        | 103       | 62.6       | 62.0       | 250       | 30         | 16.6                   |
| 100  | 59                  | 8    | 59                  | 25              | 41               | 6.35       | 0.89       | 101.60     | 2.11       | 157       | 59.8       | 10         | 44         | 114       | 61.6       | 19.0       | 134       | 30         | 5.7                    |
| 100  | 59                  | 10   | 59                  | 25              | 41               | 9.53       | 0.89       | 101.60     | 2.11       | 167       | 59.8       | 20         | 54         | 114       | 61.6       | 19.0       | 134       | 30         | 5.7                    |
| 100  | 59                  | 15   | 59                  | 25              | 41               | 12.70      | 1.65       | 101.60     | 2.11       | 167       | 59.8       | 20         | 54         | 114       | 61.6       | 19.0       | 134       | 30         | 5.7                    |
| 100  | 59                  | 20   | 59                  | 25              | 41               | 19.05      | 1.65       | 101.60     | 2.11       | 172       | 59.8       | 25         | 59         | 114       | 61.6       | 19.0       | 134       | 30         | 5.7                    |
| 100  | 59                  | 25   | 59                  | 25              | 41               | 25.40      | 1.65       | 101.60     | 2.11       | 172       | 59.8       | 25         | 59         | 114       | 61.6       | 19.0       | 134       | 30         | 5.6                    |
| 100  | 59                  | 40   | 59                  | 40              | 41               | 38.10      | 1.65       | 101.60     | 2.11       | 186       | 61.9       | 25         | 71         | 117       | 64.5       | 26.0       | 162       | 30         | 9.1                    |
| 100  | 59                  | 50   | 59                  | 50              | 41               | 50.80      | 1.65       | 101.60     | 2.11       | 201       | 63.1       | 30         | 85         | 120       | 66.6       | 32.0       | 184       | 30         | 12.1                   |
| 100  | 59                  | 65   | 59                  | 80              | 41               | 63.50      | 1.65       | 101.60     | 2.11       | 228       | 64.6       | 30         | 110        | 129       | 75.3       | 62.0       | 250       | 30         | 24.5                   |
| 100  | 59                  | 80   | 59                  | 80              | 41               | 76.20      | 1.65       | 101.60     | 2.11       | 228       | 64.6       | 30         | 110        | 129       | 75.3       | 62.0       | 250       | 30         | 23.6                   |
| 100  | 59                  | 100  | 59                  | 100             | 41               | 101.60     | 2.11       | 101.60     | 2.11       | 266       | 66.3       | 30         | 146        | 122       | 68.6       | 68.6       | 292       | 30         | 29.6                   |
| 150  | 59                  | 40   | 59                  | 40              | 41               | 38.10      | 1.65       | 152.40     | 2.77       | 239       | 89.4       | 25         | 71         | 168       | 89.9       | 26.0       | 162       | 30         | 15.6                   |
| 150  | 59                  | 50   | 59                  | 50              | 41               | 50.80      | 1.65       | 152.40     | 2.77       | 254       | 90.6       | 30         | 85         | 171       | 92.0       | 32.0       | 184       | 30         | 20.7                   |
| 150  | 59                  | 65   | 59                  | 80              | 41               | 63.50      | 1.65       | 152.40     | 2.77       | 281       | 92.2       | 30         | 110        | 179       | 100.7      | 62.0       | 250       | 30         | 39.8                   |
| 150  | 59                  | 80   | 59                  | 80              | 41               | 76.20      | 1.65       | 152.40     | 2.77       | 281       | 92.2       | 30         | 110        | 179       | 100.7      | 62.0       | 250       | 30         | 39.0                   |
| 150  | 59                  | 100  | 59                  | 100             | 41               | 101.60     | 2.11       | 152.40     | 2.77       | 319       | 93.8       | 30         | 146        | 173       | 94.0       | 68.6       | 292       | 30         | 51.6                   |

## Other combinations on request

<sup>1</sup> see table Butt weld spigots on page 4, <sup>2</sup> MG = Diaphragm size, <sup>3</sup> WKZ = Valve body material code (see table on page 4),<sup>4</sup> G = Valve body weight.

# T valve bodies for JIS-G 3447 pipes



| Valve body material           | Code |
|-------------------------------|------|
| 1.4435 (316L), Block material | 41   |

The valve body dimensions for your order are clearly defined by specification of the codes in the blue columns in the given sequence.

### Dimensions

| DN 2 | Code 2 <sup>1</sup> | DN 1 | Code 1 <sup>1</sup> | MG <sup>2</sup> | WKZ <sup>3</sup> | D1 (mm) | S1 (mm) | D2 (mm) | S2 (mm) | L (mm) | L1 (mm) | L2 (mm) | L3 (mm) | H (mm) | H1 (mm) | H2 (mm) | B (mm) | B1 (mm) | G <sup>4</sup> (kg) |
|------|---------------------|------|---------------------|-----------------|------------------|---------|---------|---------|---------|--------|---------|---------|---------|--------|---------|---------|--------|---------|---------------------|
| 25   | 35                  | 25   | 35                  | 25              | 41               | 25.40   | 1.20    | 25.40   | 1.20    | 93     | 18.4    | 25      | 59      | 38     | 23.5    | 19.0    | 124    | 25      | 1.1                 |
| 32   | 35                  | 25   | 35                  | 25              | 41               | 25.40   | 1.20    | 31.80   | 1.20    | 99     | 21.9    | 25      | 59      | 45     | 26.7    | 19.0    | 124    | 25      | 1.4                 |
| 32   | 35                  | 32   | 35                  | 40              | 41               | 31.80   | 1.20    | 31.80   | 1.20    | 117    | 24.0    | 25      | 71      | 48     | 29.6    | 26.0    | 152    | 25      | 2.7                 |
| 40   | 35                  | 25   | 35                  | 25              | 41               | 25.40   | 1.20    | 38.10   | 1.20    | 105    | 25.4    | 25      | 59      | 51     | 29.9    | 19.0    | 124    | 25      | 1.7                 |
| 40   | 35                  | 32   | 35                  | 40              | 41               | 31.80   | 1.20    | 38.10   | 1.20    | 120    | 27.5    | 25      | 71      | 54     | 32.8    | 26.0    | 152    | 25      | 3.0                 |
| 40   | 35                  | 40   | 35                  | 40              | 41               | 38.10   | 1.20    | 38.10   | 1.20    | 120    | 27.5    | 25      | 71      | 54     | 32.8    | 26.0    | 152    | 25      | 2.9                 |
| 50   | 35                  | 25   | 35                  | 25              | 41               | 25.40   | 1.20    | 50.80   | 1.50    | 119    | 32.2    | 25      | 59      | 64     | 36.2    | 19.0    | 134    | 30      | 2.4                 |
| 50   | 35                  | 32   | 35                  | 40              | 41               | 31.80   | 1.20    | 50.80   | 1.50    | 133    | 34.3    | 25      | 71      | 66     | 39.1    | 26.0    | 162    | 30      | 4.1                 |
| 50   | 35                  | 40   | 35                  | 40              | 41               | 38.10   | 1.20    | 50.80   | 1.50    | 133    | 34.3    | 25      | 71      | 66     | 39.1    | 26.0    | 162    | 30      | 3.9                 |
| 50   | 35                  | 50   | 35                  | 50              | 41               | 50.80   | 1.50    | 50.80   | 1.50    | 148    | 35.5    | 30      | 85      | 69     | 41.2    | 32.0    | 184    | 30      | 5.2                 |
| 65   | 35                  | 25   | 35                  | 25              | 41               | 25.40   | 1.20    | 63.50   | 2.00    | 131    | 38.7    | 25      | 59      | 76     | 42.6    | 19.0    | 134    | 30      | 3.1                 |
| 65   | 35                  | 32   | 35                  | 40              | 41               | 31.80   | 1.20    | 63.50   | 2.00    | 146    | 40.8    | 25      | 71      | 79     | 45.5    | 26.0    | 162    | 30      | 5.3                 |
| 65   | 35                  | 40   | 35                  | 40              | 41               | 38.10   | 1.20    | 63.50   | 2.00    | 146    | 40.8    | 25      | 71      | 79     | 45.5    | 26.0    | 162    | 30      | 5.2                 |
| 65   | 35                  | 50   | 35                  | 50              | 41               | 50.80   | 1.50    | 63.50   | 2.00    | 161    | 42.0    | 30      | 85      | 82     | 47.6    | 32.0    | 184    | 30      | 6.9                 |
| 65   | 35                  | 65   | 35                  | 80              | 41               | 63.50   | 2.00    | 63.50   | 2.00    | 190    | 43.6    | 30      | 110     | 96     | 56.3    | 62.0    | 250    | 30      | 16.0                |
| 80   | 35                  | 25   | 35                  | 25              | 41               | 25.40   | 1.20    | 76.30   | 2.00    | 145    | 45.8    | 25      | 59      | 89     | 49.0    | 19.0    | 134    | 30      | 3.9                 |
| 80   | 35                  | 32   | 35                  | 40              | 41               | 31.80   | 1.20    | 76.30   | 2.00    | 159    | 47.9    | 25      | 71      | 92     | 51.9    | 26.0    | 162    | 30      | 6.5                 |
| 80   | 35                  | 40   | 35                  | 40              | 41               | 38.10   | 1.20    | 76.30   | 2.00    | 159    | 47.9    | 25      | 71      | 92     | 51.9    | 26.0    | 162    | 30      | 6.4                 |
| 80   | 35                  | 50   | 35                  | 50              | 41               | 50.80   | 1.50    | 76.30   | 2.00    | 175    | 49.1    | 30      | 85      | 95     | 54.0    | 32.0    | 184    | 30      | 8.7                 |
| 80   | 35                  | 65   | 35                  | 80              | 41               | 63.50   | 2.00    | 76.30   | 2.00    | 201    | 50.7    | 30      | 110     | 103    | 62.7    | 62.0    | 250    | 30      | 17.5                |
| 80   | 35                  | 80   | 35                  | 80              | 41               | 76.30   | 2.00    | 76.30   | 2.00    | 201    | 50.7    | 30      | 110     | 103    | 62.7    | 62.0    | 250    | 30      | 16.6                |
| 100  | 35                  | 25   | 35                  | 25              | 41               | 25.40   | 1.20    | 101.60  | 2.00    | 172    | 59.9    | 25      | 59      | 114    | 61.6    | 19.0    | 134    | 30      | 5.6                 |
| 100  | 35                  | 32   | 35                  | 40              | 41               | 31.80   | 1.20    | 101.60  | 2.00    | 186    | 62.0    | 25      | 71      | 117    | 64.5    | 26.0    | 162    | 30      | 9.2                 |
| 100  | 35                  | 40   | 35                  | 40              | 41               | 38.10   | 1.20    | 101.60  | 2.00    | 186    | 62.0    | 25      | 71      | 117    | 64.5    | 26.0    | 162    | 30      | 9.0                 |
| 100  | 35                  | 50   | 35                  | 50              | 41               | 50.80   | 1.50    | 101.60  | 2.00    | 201    | 63.2    | 30      | 85      | 120    | 66.6    | 32.0    | 184    | 30      | 12.1                |
| 100  | 35                  | 65   | 35                  | 80              | 41               | 63.50   | 2.00    | 101.60  | 2.00    | 228    | 64.7    | 30      | 110     | 129    | 75.3    | 62.0    | 250    | 30      | 24.5                |
| 100  | 35                  | 80   | 35                  | 80              | 41               | 76.30   | 2.00    | 101.60  | 2.00    | 228    | 64.7    | 30      | 110     | 129    | 75.3    | 62.0    | 250    | 30      | 23.6                |
| 100  | 35                  | 100  | 35                  | 100             | 41               | 101.60  | 2.00    | 101.60  | 2.00    | 266    | 66.4    | 30      | 146     | 122    | 68.6    | 68.6    | 292    | 30      | 29.5                |

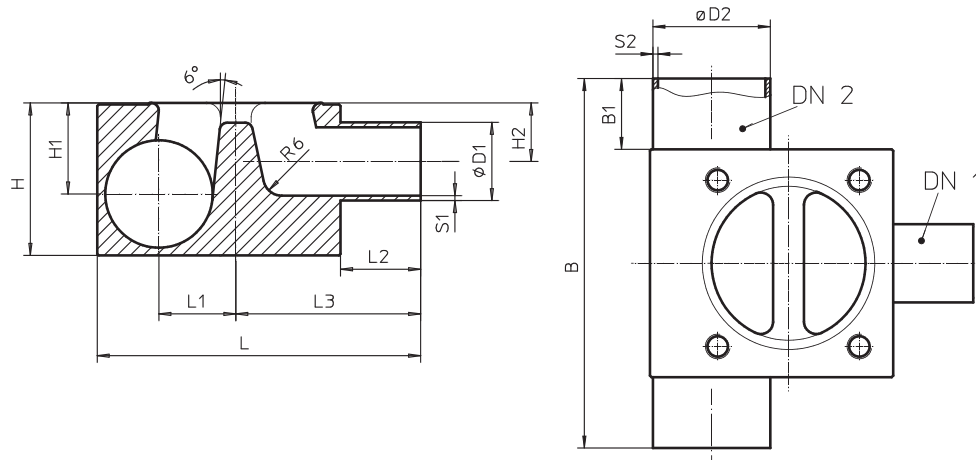
**Other combinations on request**

<sup>1</sup> see table Butt weld spigots on page 4, <sup>2</sup> MG = Diaphragm size, <sup>3</sup> WKZ = Valve body material code (see table on page 4),

<sup>4</sup> G = Valve body weight.



# T valve bodies for JIS-G 3459 pipes



| Valve body material           | Code |
|-------------------------------|------|
| 1.4435 (316L), Block material | 41   |

The valve body dimensions for your order are clearly defined by specification of the codes in the blue columns in the given sequence.

### Dimensions

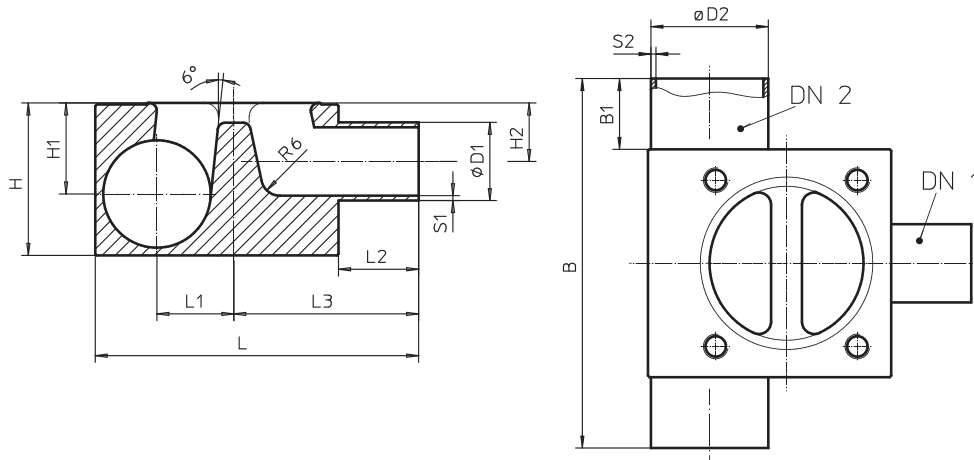
| DN 2 | Code 2 <sup>1</sup> | DN 1 | Code 1 <sup>1</sup> | MG <sup>2</sup> | WKZ <sup>3</sup> | D1 (mm) | S1 (mm) | D2 (mm) | S2 (mm) | L (mm) | L1 (mm) | L2 (mm) | L3 (mm) | H (mm) | H1 (mm) | H2 (mm) | B (mm) | B1 (mm) | G <sup>4</sup> (kg) |
|------|---------------------|------|---------------------|-----------------|------------------|---------|---------|---------|---------|--------|---------|---------|---------|--------|---------|---------|--------|---------|---------------------|
| 6    | 36                  | 6    | 36                  | 8               | 41               | 10.50   | 1.20    | 10.50   | 1.20    | 52     | 7.5     | 20      | 36      | 18     | 10.6    | 8.5     | 72     | 20      | 0.1                 |
| 8    | 36                  | 6    | 36                  | 8               | 41               | 10.50   | 1.20    | 13.80   | 1.65    | 54     | 8.8     | 20      | 36      | 21     | 12.2    | 8.5     | 72     | 20      | 0.2                 |
| 8    | 36                  | 8    | 36                  | 8               | 41               | 13.80   | 1.65    | 13.80   | 1.65    | 54     | 8.8     | 20      | 36      | 21     | 12.2    | 8.5     | 72     | 20      | 0.2                 |
| 10   | 36                  | 6    | 36                  | 8               | 41               | 10.50   | 1.20    | 17.30   | 1.65    | 57     | 10.8    | 20      | 36      | 25     | 14.0    | 8.5     | 72     | 20      | 0.2                 |
| 10   | 36                  | 8    | 36                  | 8               | 41               | 13.80   | 1.65    | 17.30   | 1.65    | 57     | 10.8    | 20      | 36      | 25     | 14.0    | 8.5     | 72     | 20      | 0.2                 |
| 10   | 36                  | 10   | 36                  | 10              | 41               | 17.30   | 1.65    | 17.30   | 1.65    | 75     | 12.0    | 20      | 48      | 27     | 16.3    | 12.5    | 90     | 20      | 0.5                 |
| 15   | 36                  | 6    | 36                  | 8               | 41               | 10.50   | 1.20    | 21.70   | 2.10    | 62     | 12.8    | 20      | 36      | 29     | 16.2    | 8.5     | 72     | 20      | 0.3                 |
| 15   | 36                  | 8    | 36                  | 8               | 41               | 13.80   | 1.65    | 21.70   | 2.10    | 62     | 12.8    | 20      | 36      | 29     | 16.2    | 8.5     | 72     | 20      | 0.3                 |
| 15   | 36                  | 10   | 36                  | 10              | 41               | 17.30   | 1.65    | 21.70   | 2.10    | 75     | 13.9    | 20      | 48      | 31     | 18.5    | 12.5    | 90     | 20      | 0.6                 |
| 15   | 36                  | 15   | 36                  | 10              | 41               | 21.70   | 2.10    | 21.70   | 2.10    | 75     | 13.9    | 20      | 48      | 31     | 18.5    | 12.5    | 90     | 20      | 0.6                 |
| 20   | 36                  | 6    | 36                  | 8               | 41               | 10.50   | 1.20    | 27.20   | 2.10    | 67     | 15.8    | 20      | 36      | 34     | 18.9    | 8.5     | 82     | 25      | 0.4                 |
| 20   | 36                  | 8    | 36                  | 8               | 41               | 13.80   | 1.65    | 27.20   | 2.10    | 67     | 15.8    | 20      | 36      | 34     | 18.9    | 8.5     | 82     | 25      | 0.4                 |
| 20   | 36                  | 10   | 36                  | 10              | 41               | 17.30   | 1.65    | 27.20   | 2.10    | 80     | 17.0    | 20      | 48      | 37     | 21.2    | 12.5    | 100    | 25      | 0.7                 |
| 20   | 36                  | 15   | 36                  | 10              | 41               | 21.70   | 2.10    | 27.20   | 2.10    | 80     | 17.0    | 20      | 48      | 37     | 21.2    | 12.5    | 100    | 25      | 0.7                 |
| 20   | 36                  | 20   | 36                  | 25              | 41               | 27.20   | 2.10    | 27.20   | 2.10    | 93     | 18.5    | 25      | 59      | 40     | 24.4    | 19.0    | 124    | 25      | 1.2                 |
| 25   | 36                  | 6    | 36                  | 8               | 41               | 10.50   | 1.20    | 34.00   | 2.80    | 74     | 18.9    | 20      | 36      | 41     | 22.3    | 8.5     | 82     | 25      | 0.5                 |
| 25   | 36                  | 8    | 36                  | 8               | 41               | 13.80   | 1.65    | 34.00   | 2.80    | 74     | 18.9    | 20      | 36      | 41     | 22.3    | 8.5     | 82     | 25      | 0.5                 |
| 25   | 36                  | 10   | 36                  | 10              | 41               | 17.30   | 1.65    | 34.00   | 2.80    | 87     | 20.1    | 20      | 48      | 44     | 24.6    | 12.5    | 100    | 25      | 1.0                 |
| 25   | 36                  | 15   | 36                  | 10              | 41               | 21.70   | 2.10    | 34.00   | 2.80    | 87     | 20.1    | 20      | 48      | 44     | 24.6    | 12.5    | 100    | 25      | 1.0                 |
| 25   | 36                  | 20   | 36                  | 25              | 41               | 27.20   | 2.10    | 34.00   | 2.80    | 100    | 21.5    | 25      | 59      | 47     | 27.8    | 19.0    | 124    | 25      | 1.6                 |
| 25   | 36                  | 25   | 36                  | 25              | 41               | 34.00   | 2.80    | 34.00   | 2.80    | 100    | 21.5    | 25      | 59      | 47     | 27.8    | 19.0    | 124    | 25      | 1.6                 |
| 32   | 36                  | 6    | 36                  | 10              | 41               | 10.50   | 1.20    | 42.70   | 2.80    | 96     | 24.9    | 20      | 48      | 52     | 29.0    | 12.5    | 100    | 25      | 1.3                 |
| 32   | 36                  | 8    | 36                  | 10              | 41               | 13.80   | 1.65    | 42.70   | 2.80    | 96     | 24.9    | 20      | 48      | 52     | 29.0    | 12.5    | 100    | 25      | 1.3                 |

**Other combinations on request**

<sup>1</sup> see table Butt weld spigots on page 4, <sup>2</sup> MG = Diaphragm size, <sup>3</sup> WKZ = Valve body material code (see table on page 4),

<sup>4</sup> G = Valve body weight.

# T valve bodies for JIS-G 3459 pipes



**Valve body material**

1.4435 (316L), Block material

**Code**

41

The valve body dimensions for your order are clearly defined by specification of the codes in the blue columns in the given sequence.

**Dimensions**

| DN 2 | Code 2 <sup>1</sup> | DN 1 | Code 1 <sup>1</sup> | MG <sup>2</sup> | WKZ <sup>3</sup> | D1<br>(mm) | S1<br>(mm) | D2<br>(mm) | S2<br>(mm) | L<br>(mm) | L1<br>(mm) | L2<br>(mm) | L3<br>(mm) | H<br>(mm) | H1<br>(mm) | H2<br>(mm) | B<br>(mm) | B1<br>(mm) | G <sup>4</sup><br>(kg) |
|------|---------------------|------|---------------------|-----------------|------------------|------------|------------|------------|------------|-----------|------------|------------|------------|-----------|------------|------------|-----------|------------|------------------------|
| 32   | 36                  | 10   | 36                  | 10              | 41               | 17.30      | 1.65       | 42.70      | 2.80       | 96        | 24.9       | 20         | 48         | 52        | 29.0       | 12.5       | 100       | 25         | 1.3                    |
| 32   | 36                  | 15   | 36                  | 10              | 41               | 21.70      | 2.10       | 42.70      | 2.80       | 96        | 24.9       | 20         | 48         | 52        | 29.0       | 12.5       | 100       | 25         | 1.2                    |
| 32   | 36                  | 20   | 36                  | 25              | 41               | 27.20      | 2.10       | 42.70      | 2.80       | 109       | 26.4       | 25         | 59         | 56        | 32.2       | 19.0       | 124       | 25         | 2.1                    |
| 32   | 36                  | 25   | 36                  | 25              | 41               | 34.00      | 2.80       | 42.70      | 2.80       | 109       | 26.4       | 25         | 59         | 56        | 32.2       | 19.0       | 124       | 25         | 2.1                    |
| 32   | 36                  | 32   | 36                  | 40              | 41               | 42.70      | 2.80       | 42.70      | 2.80       | 123       | 28.5       | 25         | 71         | 58        | 35.1       | 26.0       | 152       | 25         | 3.4                    |
| 40   | 36                  | 6    | 36                  | 10              | 41               | 10.50      | 1.20       | 48.60      | 2.80       | 102       | 28.2       | 20         | 48         | 58        | 31.9       | 12.5       | 100       | 25         | 1.5                    |
| 40   | 36                  | 8    | 36                  | 10              | 41               | 13.80      | 1.65       | 48.60      | 2.80       | 102       | 28.2       | 20         | 48         | 58        | 31.9       | 12.5       | 100       | 25         | 1.5                    |
| 40   | 36                  | 10   | 36                  | 10              | 41               | 17.30      | 1.65       | 48.60      | 2.80       | 102       | 28.2       | 20         | 48         | 58        | 31.9       | 12.5       | 100       | 25         | 1.4                    |
| 40   | 36                  | 15   | 36                  | 10              | 41               | 21.70      | 2.10       | 48.60      | 2.80       | 102       | 28.2       | 20         | 48         | 58        | 31.9       | 12.5       | 100       | 25         | 1.4                    |
| 40   | 36                  | 20   | 36                  | 25              | 41               | 27.20      | 2.10       | 48.60      | 2.80       | 115       | 29.6       | 25         | 59         | 61        | 35.1       | 19.0       | 124       | 25         | 2.4                    |
| 40   | 36                  | 25   | 36                  | 25              | 41               | 34.00      | 2.80       | 48.60      | 2.80       | 115       | 29.6       | 25         | 59         | 61        | 35.1       | 19.0       | 124       | 25         | 2.3                    |
| 40   | 36                  | 32   | 36                  | 40              | 41               | 42.70      | 2.80       | 48.60      | 2.80       | 129       | 31.7       | 25         | 71         | 64        | 38.0       | 26.0       | 152       | 25         | 3.9                    |
| 40   | 36                  | 40   | 36                  | 40              | 41               | 48.60      | 2.80       | 48.60      | 2.80       | 129       | 31.7       | 25         | 71         | 64        | 38.0       | 26.0       | 152       | 25         | 3.8                    |
| 50   | 36                  | 6    | 36                  | 10              | 41               | 10.50      | 1.20       | 60.50      | 2.80       | 115       | 34.8       | 20         | 48         | 70        | 37.9       | 12.5       | 110       | 30         | 1.9                    |
| 50   | 36                  | 8    | 36                  | 10              | 41               | 13.80      | 1.65       | 60.50      | 2.80       | 115       | 34.8       | 20         | 48         | 70        | 37.9       | 12.5       | 110       | 30         | 1.9                    |
| 50   | 36                  | 10   | 36                  | 10              | 41               | 17.30      | 1.65       | 60.50      | 2.80       | 115       | 34.8       | 20         | 48         | 70        | 37.9       | 12.5       | 110       | 30         | 1.9                    |
| 50   | 36                  | 15   | 36                  | 10              | 41               | 21.70      | 2.10       | 60.50      | 2.80       | 115       | 34.8       | 20         | 48         | 70        | 37.9       | 12.5       | 110       | 30         | 1.9                    |
| 50   | 36                  | 15   | 36                  | 25              | 41               | 21.70      | 2.10       | 60.50      | 2.80       | 122       | 36.2       | 20         | 54         | 73        | 41.1       | 19.0       | 134       | 30         | 3.1                    |
| 50   | 36                  | 20   | 36                  | 25              | 41               | 27.20      | 2.10       | 60.50      | 2.80       | 127       | 36.2       | 25         | 59         | 73        | 41.1       | 19.0       | 134       | 30         | 3.1                    |
| 50   | 36                  | 25   | 36                  | 25              | 41               | 34.00      | 2.80       | 60.50      | 2.80       | 127       | 36.2       | 25         | 59         | 73        | 41.1       | 19.0       | 134       | 30         | 3.0                    |
| 50   | 36                  | 32   | 36                  | 40              | 41               | 42.70      | 2.80       | 60.50      | 2.80       | 142       | 38.3       | 25         | 71         | 76        | 44.0       | 26.0       | 162       | 30         | 5.1                    |
| 50   | 36                  | 40   | 36                  | 40              | 41               | 48.60      | 2.80       | 60.50      | 2.80       | 142       | 38.3       | 25         | 71         | 76        | 44.0       | 26.0       | 162       | 30         | 4.9                    |
| 50   | 36                  | 50   | 36                  | 50              | 41               | 60.50      | 2.80       | 60.50      | 2.80       | 157       | 39.6       | 30         | 85         | 79        | 46.1       | 32.0       | 184       | 30         | 6.5                    |
| 65   | 36                  | 6    | 36                  | 10              | 41               | 10.50      | 1.20       | 76.30      | 3.00       | 131       | 43.4       | 20         | 48         | 86        | 45.8       | 12.5       | 110       | 30         | 2.6                    |
| 65   | 36                  | 8    | 36                  | 10              | 41               | 13.80      | 1.65       | 76.30      | 3.00       | 131       | 43.4       | 20         | 48         | 86        | 45.8       | 12.5       | 110       | 30         | 2.6                    |

## Dimensions

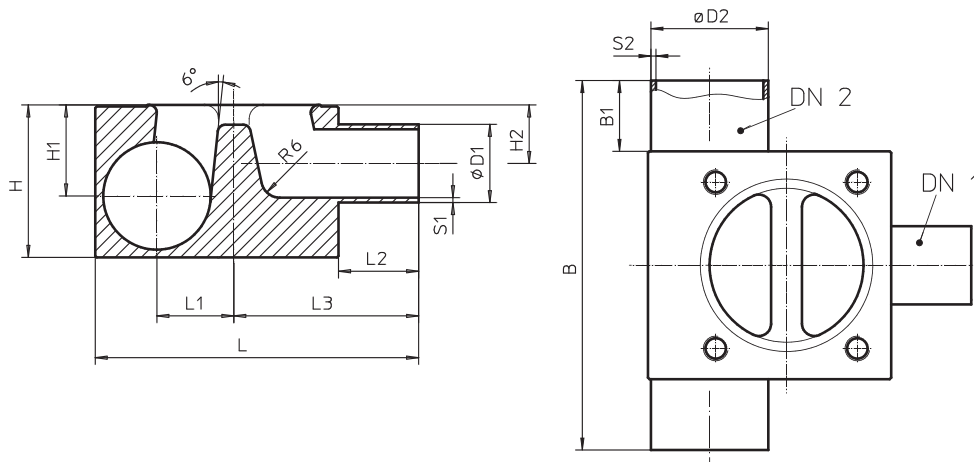
| DN 2 | Code 2 <sup>1</sup> | DN 1 | Code 1 <sup>1</sup> | MG <sup>2</sup> | WKZ <sup>3</sup> | D1<br>(mm) | S1<br>(mm) | D2<br>(mm) | S2<br>(mm) | L<br>(mm) | L1<br>(mm) | L2<br>(mm) | L3<br>(mm) | H<br>(mm) | H1<br>(mm) | H2<br>(mm) | B<br>(mm) | B1<br>(mm) | G <sup>4</sup><br>(kg) |
|------|---------------------|------|---------------------|-----------------|------------------|------------|------------|------------|------------|-----------|------------|------------|------------|-----------|------------|------------|-----------|------------|------------------------|
| 65   | 36                  | 10   | 36                  | 10              | 41               | 17.30      | 1.65       | 76.30      | 3.00       | 131       | 43.4       | 20         | 48         | 86        | 45.8       | 12.5       | 110       | 30         | 2.6                    |
| 65   | 36                  | 15   | 36                  | 10              | 41               | 21.70      | 2.10       | 76.30      | 3.00       | 131       | 43.4       | 20         | 48         | 86        | 45.8       | 12.5       | 110       | 30         | 2.5                    |
| 65   | 36                  | 15   | 36                  | 25              | 41               | 21.70      | 2.10       | 76.30      | 3.00       | 139       | 44.8       | 20         | 54         | 89        | 49.0       | 19.0       | 134       | 30         | 4.1                    |
| 65   | 36                  | 20   | 36                  | 25              | 41               | 27.20      | 2.10       | 76.30      | 3.00       | 144       | 44.8       | 25         | 59         | 89        | 49.0       | 19.0       | 134       | 30         | 4.1                    |
| 65   | 36                  | 25   | 36                  | 25              | 41               | 34.00      | 2.80       | 76.30      | 3.00       | 144       | 44.8       | 25         | 59         | 89        | 49.0       | 19.0       | 134       | 30         | 4.1                    |
| 65   | 36                  | 32   | 36                  | 40              | 41               | 42.70      | 2.80       | 76.30      | 3.00       | 158       | 46.9       | 25         | 71         | 92        | 51.9       | 26.0       | 162       | 30         | 6.6                    |
| 65   | 36                  | 40   | 36                  | 40              | 41               | 48.60      | 2.80       | 76.30      | 3.00       | 158       | 46.9       | 25         | 71         | 92        | 51.9       | 26.0       | 162       | 30         | 6.5                    |
| 65   | 36                  | 50   | 36                  | 50              | 41               | 60.50      | 2.80       | 76.30      | 3.00       | 174       | 48.1       | 30         | 85         | 95        | 54.0       | 32.0       | 184       | 30         | 8.7                    |
| 65   | 36                  | 65   | 36                  | 80              | 41               | 76.30      | 3.00       | 76.30      | 3.00       | 200       | 49.7       | 30         | 110        | 103       | 62.7       | 62.0       | 250       | 30         | 17.1                   |
| 80   | 36                  | 6    | 36                  | 25              | 41               | 10.50      | 1.20       | 89.10      | 3.00       | 152       | 51.9       | 20         | 54         | 102       | 55.4       | 19.0       | 134       | 30         | 5.0                    |
| 80   | 36                  | 8    | 36                  | 25              | 41               | 13.80      | 1.65       | 89.10      | 3.00       | 152       | 51.9       | 20         | 54         | 102       | 55.4       | 19.0       | 134       | 30         | 5.0                    |
| 80   | 36                  | 10   | 36                  | 25              | 41               | 17.30      | 1.65       | 89.10      | 3.00       | 152       | 51.9       | 20         | 54         | 102       | 55.4       | 19.0       | 134       | 30         | 5.0                    |
| 80   | 36                  | 15   | 36                  | 25              | 41               | 21.70      | 2.10       | 89.10      | 3.00       | 152       | 51.9       | 20         | 54         | 102       | 55.4       | 19.0       | 134       | 30         | 5.0                    |
| 80   | 36                  | 20   | 36                  | 25              | 41               | 27.20      | 2.10       | 89.10      | 3.00       | 157       | 51.9       | 25         | 59         | 102       | 55.4       | 19.0       | 134       | 30         | 5.0                    |
| 80   | 36                  | 25   | 36                  | 25              | 41               | 34.00      | 2.80       | 89.10      | 3.00       | 157       | 51.9       | 25         | 59         | 102       | 55.4       | 19.0       | 134       | 30         | 4.9                    |
| 80   | 36                  | 32   | 36                  | 40              | 41               | 42.70      | 2.80       | 89.10      | 3.00       | 172       | 54.0       | 25         | 71         | 105       | 58.3       | 26.0       | 162       | 30         | 8.1                    |
| 80   | 36                  | 40   | 36                  | 40              | 41               | 48.60      | 2.80       | 89.10      | 3.00       | 172       | 54.0       | 25         | 71         | 105       | 58.3       | 26.0       | 162       | 30         | 7.9                    |
| 80   | 36                  | 50   | 36                  | 50              | 41               | 60.50      | 2.80       | 89.10      | 3.00       | 187       | 55.2       | 30         | 85         | 107       | 60.4       | 32.0       | 184       | 30         | 10.3                   |
| 80   | 36                  | 65   | 36                  | 80              | 41               | 76.30      | 3.00       | 89.10      | 3.00       | 214       | 56.8       | 30         | 110        | 116       | 69.1       | 62.0       | 250       | 30         | 20.7                   |
| 80   | 36                  | 80   | 36                  | 80              | 41               | 89.10      | 3.00       | 89.10      | 3.00       | 214       | 56.8       | 30         | 110        | 116       | 69.1       | 62.0       | 250       | 30         | 19.7                   |
| 100  | 36                  | 6    | 36                  | 25              | 41               | 10.50      | 1.20       | 114.30     | 3.00       | 179       | 65.9       | 20         | 54         | 127       | 68.0       | 19.0       | 134       | 30         | 6.9                    |
| 100  | 36                  | 8    | 36                  | 25              | 41               | 13.80      | 1.65       | 114.30     | 3.00       | 179       | 65.9       | 20         | 54         | 127       | 68.0       | 19.0       | 134       | 30         | 6.9                    |
| 100  | 36                  | 10   | 36                  | 25              | 41               | 17.30      | 1.65       | 114.30     | 3.00       | 179       | 65.9       | 20         | 54         | 127       | 68.0       | 19.0       | 134       | 30         | 6.9                    |
| 100  | 36                  | 15   | 36                  | 25              | 41               | 21.70      | 2.10       | 114.30     | 3.00       | 179       | 65.9       | 20         | 54         | 127       | 68.0       | 19.0       | 134       | 30         | 6.8                    |
| 100  | 36                  | 20   | 36                  | 25              | 41               | 27.20      | 2.10       | 114.30     | 3.00       | 184       | 65.9       | 25         | 59         | 127       | 68.0       | 19.0       | 134       | 30         | 6.8                    |
| 100  | 36                  | 25   | 36                  | 25              | 41               | 34.00      | 2.80       | 114.30     | 3.00       | 184       | 65.9       | 25         | 59         | 127       | 68.0       | 19.0       | 134       | 30         | 6.8                    |
| 100  | 36                  | 32   | 36                  | 40              | 41               | 42.70      | 2.80       | 114.30     | 3.00       | 198       | 68.0       | 25         | 71         | 130       | 70.9       | 26.0       | 162       | 30         | 10.8                   |
| 100  | 36                  | 40   | 36                  | 40              | 41               | 48.60      | 2.80       | 114.30     | 3.00       | 198       | 68.0       | 25         | 71         | 130       | 70.9       | 26.0       | 162       | 30         | 10.7                   |
| 100  | 36                  | 50   | 36                  | 50              | 41               | 60.50      | 2.80       | 114.30     | 3.00       | 214       | 69.2       | 30         | 85         | 133       | 73.0       | 32.0       | 184       | 30         | 14.3                   |
| 100  | 36                  | 65   | 36                  | 80              | 41               | 76.30      | 3.00       | 114.30     | 3.00       | 240       | 70.8       | 30         | 110        | 141       | 81.7       | 62.0       | 250       | 30         | 27.6                   |
| 100  | 36                  | 80   | 36                  | 80              | 41               | 89.10      | 3.00       | 114.30     | 3.00       | 240       | 70.8       | 30         | 110        | 141       | 81.7       | 62.0       | 250       | 30         | 26.6                   |
| 100  | 36                  | 100  | 36                  | 100             | 41               | 114.30     | 3.00       | 114.30     | 3.00       | 278       | 72.5       | 30         | 146        | 135       | 75.0       | 75.0       | 292       | 30         | 33.7                   |

## Other combinations on request

<sup>1</sup> see table Butt weld spigots on page 4, <sup>2</sup> MG = Diaphragm size, <sup>3</sup> WKZ = Valve body material code (see table on page 4),

<sup>4</sup> G = Valve body weight.

# T valve bodies for SMS 3008 pipes



| Valve body material           | Code |
|-------------------------------|------|
| 1.4435 (316L), Block material | 41   |

The valve body dimensions for your order are clearly defined by specification of the codes in the blue columns in the given sequence.

| Dimensions |                     |      |                     |                 |                  |         |         |         |         |        |         |         |         |        |         |         |        |         |                     |
|------------|---------------------|------|---------------------|-----------------|------------------|---------|---------|---------|---------|--------|---------|---------|---------|--------|---------|---------|--------|---------|---------------------|
| DN 2       | Code 2 <sup>1</sup> | DN 1 | Code 1 <sup>1</sup> | MG <sup>2</sup> | WKZ <sup>3</sup> | D1 (mm) | S1 (mm) | D2 (mm) | S2 (mm) | L (mm) | L1 (mm) | L2 (mm) | L3 (mm) | H (mm) | H1 (mm) | H2 (mm) | B (mm) | B1 (mm) | G <sup>4</sup> (kg) |
| 25         | 37                  | 10   | 16                  | 8               | 41               | 12.00   | 1.00    | 25.00   | 1.20    | 66     | 15.5    | 20      | 36      | 32     | 17.8    | 8.5     | 82     | 25      | 0.3                 |
| 25         | 37                  | 15   | 16                  | 25              | 41               | 18.00   | 1.00    | 25.00   | 1.20    | 88     | 18.1    | 20      | 54      | 38     | 23.3    | 19.0    | 124    | 25      | 1.2                 |
| 25         | 37                  | 25   | 37                  | 25              | 41               | 25.00   | 1.20    | 25.00   | 1.20    | 93     | 18.1    | 25      | 59      | 38     | 23.3    | 19.0    | 124    | 25      | 1.1                 |
| 32         | 37                  | 10   | 16                  | 10              | 41               | 12.00   | 1.00    | 33.70   | 1.20    | 88     | 21.5    | 20      | 48      | 43     | 24.5    | 12.5    | 100    | 25      | 0.9                 |
| 32         | 37                  | 15   | 16                  | 10              | 41               | 18.00   | 1.00    | 33.70   | 1.20    | 88     | 21.5    | 20      | 48      | 43     | 24.5    | 12.5    | 100    | 25      | 0.9                 |
| 32         | 37                  | 15   | 16                  | 25              | 41               | 18.00   | 1.00    | 33.70   | 1.20    | 96     | 23.0    | 20      | 54      | 46     | 27.7    | 19.0    | 124    | 25      | 1.5                 |
| 32         | 37                  | 25   | 37                  | 25              | 41               | 25.00   | 1.20    | 33.70   | 1.20    | 101    | 23.0    | 25      | 59      | 46     | 27.7    | 19.0    | 124    | 25      | 1.5                 |
| 32         | 37                  | 32   | 37                  | 40              | 41               | 33.70   | 1.20    | 33.70   | 1.20    | 117    | 25.1    | 25      | 71      | 49     | 30.6    | 26.0    | 152    | 25      | 2.7                 |
| 40         | 37                  | 10   | 16                  | 10              | 41               | 12.00   | 1.00    | 38.00   | 1.20    | 92     | 23.9    | 20      | 48      | 48     | 26.6    | 12.5    | 100    | 25      | 1.0                 |
| 40         | 37                  | 15   | 16                  | 10              | 41               | 18.00   | 1.00    | 38.00   | 1.20    | 92     | 23.9    | 20      | 48      | 48     | 26.6    | 12.5    | 100    | 25      | 1.0                 |
| 40         | 37                  | 15   | 16                  | 25              | 41               | 18.00   | 1.00    | 38.00   | 1.20    | 100    | 25.4    | 20      | 54      | 51     | 29.8    | 19.0    | 124    | 25      | 1.7                 |
| 40         | 37                  | 25   | 37                  | 25              | 41               | 25.00   | 1.20    | 38.00   | 1.20    | 105    | 25.4    | 25      | 59      | 51     | 29.8    | 19.0    | 124    | 25      | 1.7                 |
| 40         | 37                  | 32   | 37                  | 40              | 41               | 33.70   | 1.20    | 38.00   | 1.20    | 119    | 27.5    | 25      | 71      | 54     | 32.7    | 26.0    | 152    | 25      | 2.9                 |
| 40         | 37                  | 40   | 37                  | 40              | 41               | 38.00   | 1.20    | 38.00   | 1.20    | 119    | 27.5    | 25      | 71      | 54     | 32.7    | 26.0    | 152    | 25      | 2.9                 |
| 50         | 37                  | 10   | 16                  | 10              | 41               | 12.00   | 1.00    | 51.00   | 1.20    | 106    | 31.1    | 20      | 48      | 61     | 33.1    | 12.5    | 110    | 30      | 1.4                 |
| 50         | 37                  | 15   | 16                  | 10              | 41               | 18.00   | 1.00    | 51.00   | 1.20    | 106    | 31.1    | 20      | 48      | 61     | 33.1    | 12.5    | 110    | 30      | 1.4                 |
| 50         | 37                  | 15   | 16                  | 25              | 41               | 18.00   | 1.00    | 51.00   | 1.20    | 114    | 32.6    | 20      | 54      | 64     | 36.3    | 19.0    | 134    | 30      | 2.4                 |
| 50         | 37                  | 25   | 37                  | 25              | 41               | 25.00   | 1.20    | 51.00   | 1.20    | 119    | 32.6    | 25      | 59      | 64     | 36.3    | 19.0    | 134    | 30      | 2.4                 |
| 50         | 37                  | 32   | 37                  | 40              | 41               | 33.70   | 1.20    | 51.00   | 1.20    | 133    | 34.7    | 25      | 71      | 67     | 39.2    | 26.0    | 162    | 30      | 4.0                 |
| 50         | 37                  | 40   | 37                  | 40              | 41               | 38.00   | 1.20    | 51.00   | 1.20    | 133    | 34.7    | 25      | 71      | 67     | 39.2    | 26.0    | 162    | 30      | 4.0                 |
| 50         | 37                  | 50   | 37                  | 50              | 41               | 51.00   | 1.20    | 51.00   | 1.20    | 149    | 35.9    | 30      | 85      | 69     | 41.3    | 32.0    | 184    | 30      | 5.2                 |
| 65         | 37                  | 10   | 16                  | 10              | 41               | 12.00   | 1.00    | 63.50   | 1.60    | 119    | 37.7    | 20      | 48      | 73     | 39.4    | 12.5    | 110    | 30      | 1.9                 |
| 65         | 37                  | 15   | 16                  | 10              | 41               | 18.00   | 1.00    | 63.50   | 1.60    | 119    | 37.7    | 20      | 48      | 73     | 39.4    | 12.5    | 110    | 30      | 1.8                 |
| 65         | 37                  | 15   | 16                  | 25              | 41               | 18.00   | 1.00    | 63.50   | 1.60    | 127    | 39.1    | 20      | 54      | 76     | 42.6    | 19.0    | 134    | 30      | 3.1                 |
| 65         | 37                  | 25   | 37                  | 25              | 41               | 25.00   | 1.20    | 63.50   | 1.60    | 132    | 39.1    | 25      | 59      | 76     | 42.6    | 19.0    | 134    | 30      | 3.1                 |

## Dimensions

| DN 2 | Code 2 <sup>1</sup> | DN 1 | Code 1 <sup>1</sup> | MG <sup>2</sup> | WKZ <sup>3</sup> | D1<br>(mm) | S1<br>(mm) | D2<br>(mm) | S2<br>(mm) | L<br>(mm) | L1<br>(mm) | L2<br>(mm) | L3<br>(mm) | H<br>(mm) | H1<br>(mm) | H2<br>(mm) | B<br>(mm) | B1<br>(mm) | G <sup>4</sup><br>(kg) |
|------|---------------------|------|---------------------|-----------------|------------------|------------|------------|------------|------------|-----------|------------|------------|------------|-----------|------------|------------|-----------|------------|------------------------|
| 65   | 37                  | 32   | 37                  | 40              | 41               | 33.70      | 1.20       | 63.50      | 1.60       | 146       | 41.2       | 25         | 71         | 79        | 45.5       | 26.0       | 162       | 30         | 5.2                    |
| 65   | 37                  | 40   | 37                  | 40              | 41               | 38.00      | 1.20       | 63.50      | 1.60       | 146       | 41.2       | 25         | 71         | 79        | 45.5       | 26.0       | 162       | 30         | 5.1                    |
| 65   | 37                  | 50   | 37                  | 50              | 41               | 51.00      | 1.20       | 63.50      | 1.60       | 162       | 42.4       | 30         | 85         | 82        | 47.6       | 32.0       | 184       | 30         | 6.9                    |
| 65   | 37                  | 65   | 37                  | 80              | 41               | 63.50      | 1.60       | 63.50      | 1.60       | 190       | 44.0       | 30         | 110        | 96        | 56.3       | 62.0       | 250       | 30         | 15.8                   |
| 80   | 37                  | 10   | 16                  | 25              | 41               | 12.00      | 1.00       | 76.10      | 1.60       | 140       | 46.1       | 20         | 54         | 89        | 48.9       | 19.0       | 134       | 30         | 3.9                    |
| 80   | 37                  | 15   | 16                  | 25              | 41               | 18.00      | 1.00       | 76.10      | 1.60       | 140       | 46.1       | 20         | 54         | 89        | 48.9       | 19.0       | 134       | 30         | 3.9                    |
| 80   | 37                  | 25   | 37                  | 25              | 41               | 25.00      | 1.20       | 76.10      | 1.60       | 145       | 46.1       | 25         | 59         | 89        | 48.9       | 19.0       | 134       | 30         | 3.8                    |
| 80   | 37                  | 32   | 37                  | 40              | 41               | 33.70      | 1.20       | 76.10      | 1.60       | 159       | 48.2       | 25         | 71         | 92        | 51.8       | 26.0       | 162       | 30         | 6.4                    |
| 80   | 37                  | 40   | 37                  | 40              | 41               | 38.00      | 1.20       | 76.10      | 1.60       | 159       | 48.2       | 25         | 71         | 92        | 51.8       | 26.0       | 162       | 30         | 6.3                    |
| 80   | 37                  | 50   | 37                  | 50              | 41               | 51.00      | 1.20       | 76.10      | 1.60       | 175       | 49.4       | 30         | 85         | 94        | 53.9       | 32.0       | 184       | 30         | 8.4                    |
| 80   | 37                  | 65   | 37                  | 80              | 41               | 63.50      | 1.60       | 76.10      | 1.60       | 202       | 51.0       | 30         | 110        | 103       | 62.6       | 62.0       | 250       | 30         | 17.4                   |
| 80   | 37                  | 80   | 37                  | 80              | 41               | 76.10      | 1.60       | 76.10      | 1.60       | 202       | 51.0       | 30         | 110        | 103       | 62.6       | 62.0       | 250       | 30         | 16.6                   |
| 100  | 37                  | 10   | 16                  | 25              | 41               | 12.00      | 1.00       | 101.60     | 2.00       | 167       | 59.9       | 20         | 54         | 114       | 61.6       | 19.0       | 134       | 30         | 5.7                    |
| 100  | 37                  | 15   | 16                  | 25              | 41               | 18.00      | 1.00       | 101.60     | 2.00       | 167       | 59.9       | 20         | 54         | 114       | 61.6       | 19.0       | 134       | 30         | 5.6                    |
| 100  | 37                  | 25   | 37                  | 25              | 41               | 25.00      | 1.20       | 101.60     | 2.00       | 172       | 59.9       | 25         | 59         | 114       | 61.6       | 19.0       | 134       | 30         | 5.6                    |
| 100  | 37                  | 32   | 37                  | 40              | 41               | 33.70      | 1.20       | 101.60     | 2.00       | 186       | 62.0       | 25         | 71         | 117       | 64.5       | 26.0       | 162       | 30         | 9.1                    |
| 100  | 37                  | 40   | 37                  | 40              | 41               | 38.00      | 1.20       | 101.60     | 2.00       | 186       | 62.0       | 25         | 71         | 117       | 64.5       | 26.0       | 162       | 30         | 9.0                    |
| 100  | 37                  | 50   | 37                  | 50              | 41               | 51.00      | 1.20       | 101.60     | 2.00       | 201       | 63.2       | 30         | 85         | 120       | 66.6       | 32.0       | 184       | 30         | 12.0                   |
| 100  | 37                  | 65   | 37                  | 80              | 41               | 63.50      | 1.60       | 101.60     | 2.00       | 228       | 64.7       | 30         | 110        | 129       | 75.3       | 62.0       | 250       | 30         | 24.4                   |
| 100  | 37                  | 80   | 37                  | 80              | 41               | 76.10      | 1.60       | 101.60     | 2.00       | 228       | 64.7       | 30         | 110        | 129       | 75.3       | 62.0       | 250       | 30         | 23.6                   |
| 100  | 37                  | 100  | 37                  | 100             | 41               | 101.60     | 2.00       | 101.60     | 2.00       | 266       | 66.4       | 30         | 146        | 122       | 68.6       | 68.6       | 292       | 30         | 29.5                   |

## Other combinations on request

<sup>1</sup> see table Butt weld spigots on page 4, <sup>2</sup> MG = Diaphragm size, <sup>3</sup> WKZ = Valve body material code (see table on page 4),

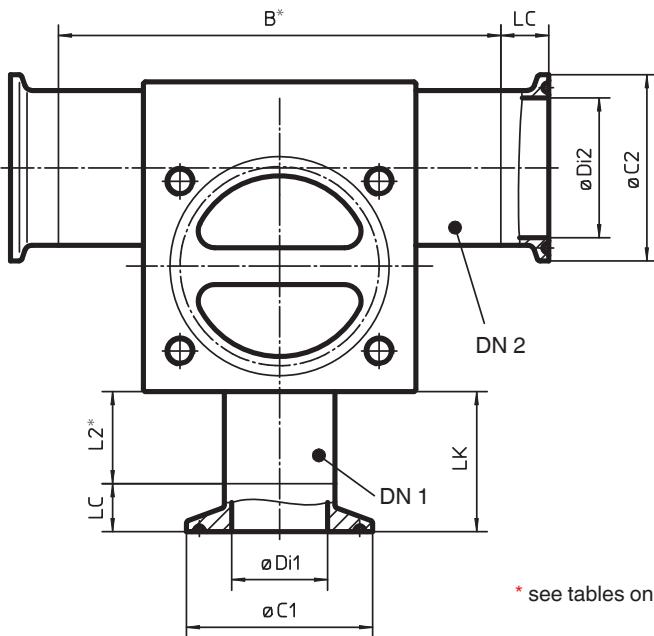
<sup>4</sup> G = Valve body weight.



# T valve bodies for clamp connections

| Butt weld spigots                     | Code |
|---------------------------------------|------|
| Butt weld spigots DIN 11850, series 2 | 17   |
| Butt weld spigots DIN 11866, series A | 1A   |
| Butt weld spigots SMS 3008            | 37   |
| Butt weld spigots ASME BPE            | 59   |
| Butt weld spigots EN ISO 1127         | 60   |

| Clamp connections   | Code |
|---|------|
| Clamps following ASME BPE for EN ISO 1127 pipe, <b>Clamp DN1 fully machined</b> | 8K   |
| Clamps following ASME BPE for EN ISO 1127 pipe                                  | 82   |
| Clamps following DIN for EN ISO 1127 pipe, <b>Clamp DN1 fully machined</b>      | 8L   |
| Clamps following DIN for EN ISO 1127 pipe                                       | 83   |
| Clamps DIN 32676 for DIN 11850 pipe, <b>Clamp DN1 fully machined</b>            | 8A   |
| Clamps DIN 32676 for DIN 11850 pipe   | 86   |
| Clamps SMS 3017 for SMS 3008 pipe   | 87   |
| Clamps ASME BPE for ASME BPE pipe, <b>Clamp DN1 fully machined</b>              | 80   |
| Clamps ASME BPE for ASME BPE pipe   | 88   |



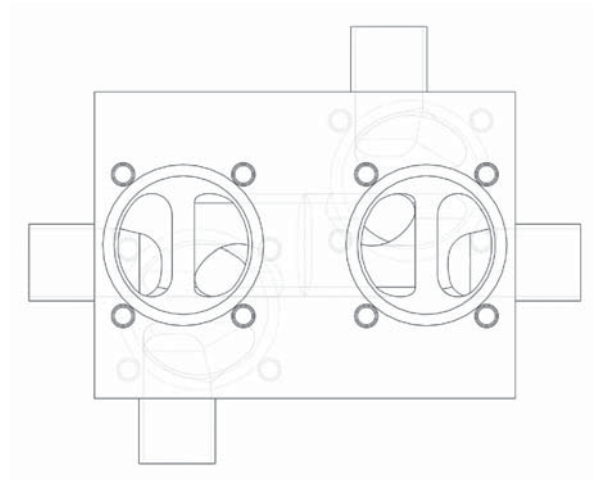
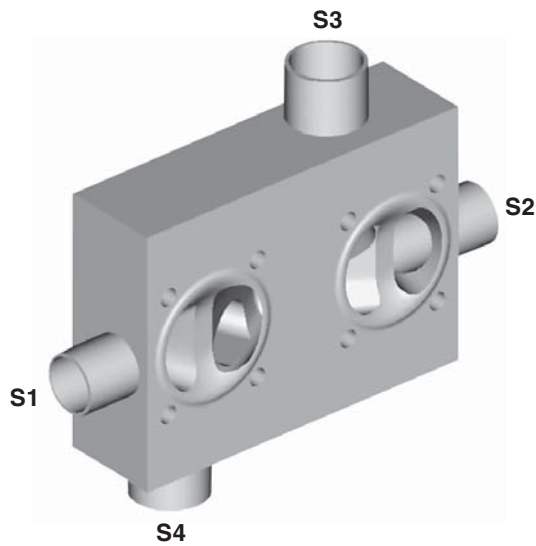
\* see tables on pages 8-23

### Dimensions of clamp connections for T valve bodies

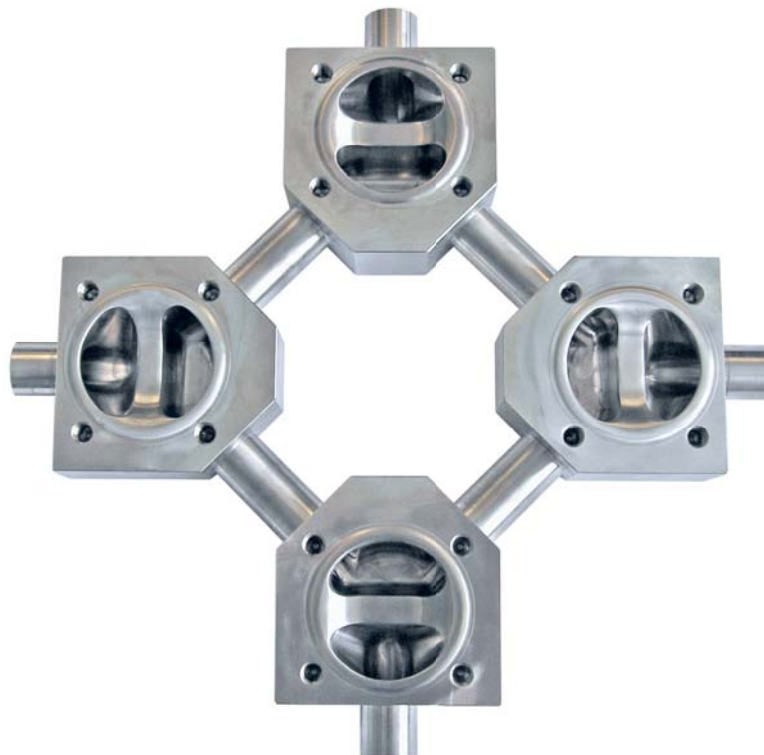
| For butt weld spigots | Code 60      |            |         |         | Code 60      |            |         |         | Code 17      |            |         |    | Code 37      |            |    | Code 59      |            |    |    |
|-----------------------|--------------|------------|---------|---------|--------------|------------|---------|---------|--------------|------------|---------|----|--------------|------------|----|--------------|------------|----|----|
| Clamp connections     | Code 82      |            | Code 8K | Code 83 |              |            | Code 8L | Code 86 |              | Code 8A    | Code 87 |    |              | Code 88    |    |              | Code 80    |    |    |
| DN                    | øDi1/<br>Di2 | øC1/<br>C2 | LC      | LK      | øDi1/<br>Di2 | øC1/<br>C2 | LC      | LK      | øDi1/<br>Di2 | øC1/<br>C2 | LC      | LK | øDi1/<br>Di2 | øC1/<br>C2 | LC | øDi1/<br>Di2 | øC1/<br>C2 | LC | LK |
| 8                     | 10.30        | 25.40      | 13      | 20      | 10.30        | 34.00      | 13      | 20      | -            | -          | -       | -  | -            | -          | -  | -            | -          | -  | 13 |
| 10                    | 14.00        | 25.40      | 13      | 20      | 14.00        | 34.00      | 13      | 20      | 10.00        | 34.00      | 13      | 20 | -            | -          | -  | -            | -          | -  | 13 |
| 15                    | 18.10        | 50.50      | 13      | -       | 18.10        | 34.00      | 13      | 20      | 16.00        | 34.00      | 13      | 20 | -            | -          | -  | 9.40         | 25.00      | 13 | 20 |
| 20                    | 23.70        | 50.50      | 13      | -       | 23.70        | 50.50      | 13      | -       | 20.00        | 34.00      | 13      | 20 | -            | -          | -  | 15.75        | 25.00      | 13 | 20 |
| 25                    | 29.70        | 50.50      | 13      | -       | 29.70        | 50.50      | 13      | -       | 26.00        | 50.50      | 13      | -  | 22.60        | 50.50      | 13 | 22.10        | 50.50      | 13 | -  |
| 32                    | 38.40        | 64.00      | 13      | -       | 38.40        | 64.00      | 13      | -       | 32.00        | 50.50      | 13      | -  | 31.30        | 50.50      | 13 | -            | -          | -  | -  |
| 40                    | 44.30        | 64.00      | 13      | -       | 44.30        | 64.00      | 13      | -       | 38.00        | 50.50      | 13      | -  | 35.60        | 50.50      | 13 | 34.80        | 50.50      | 13 | -  |
| 50                    | 56.30        | 77.50      | 13      | -       | 56.30        | 77.50      | 13      | -       | 50.00        | 64.00      | 13      | -  | 48.60        | 64.00      | 13 | 47.50        | 64.00      | 13 | -  |
| 65                    | 72.10        | 91.00      | 24      | -       | 72.10        | 91.00      | 24      | -       | 66.00        | 91.00      | 24      | -  | 60.30        | 77.50      | 24 | 60.20        | 77.50      | 24 | -  |
| 80                    | 84.30        | 106.00     | 24      | -       | 84.30        | 106.00     | 24      | -       | 81.00        | 106.00     | 24      | -  | 72.90        | 91.00      | 24 | 72.90        | 91.00      | 24 | -  |
| 100                   | 109.70       | 144.50     | 24      | -       | 109.70       | 130.00     | 24      | -       | 100.00       | 119.00     | 24      | -  | 97.60        | 119.00     | 24 | 97.38        | 119.00     | 24 | -  |

# Ring Main Designs

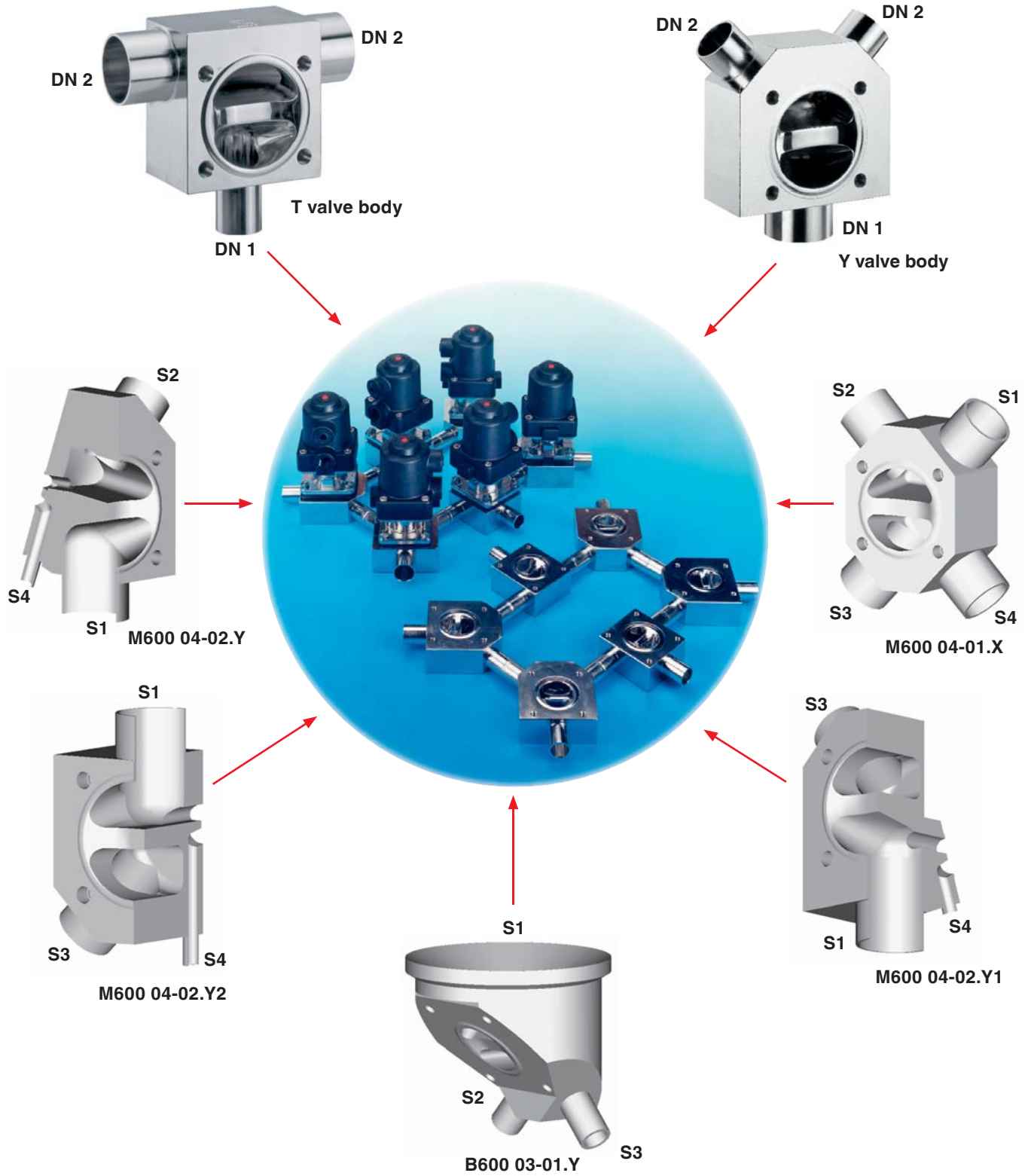
## Fully integrated



## Valve ring main



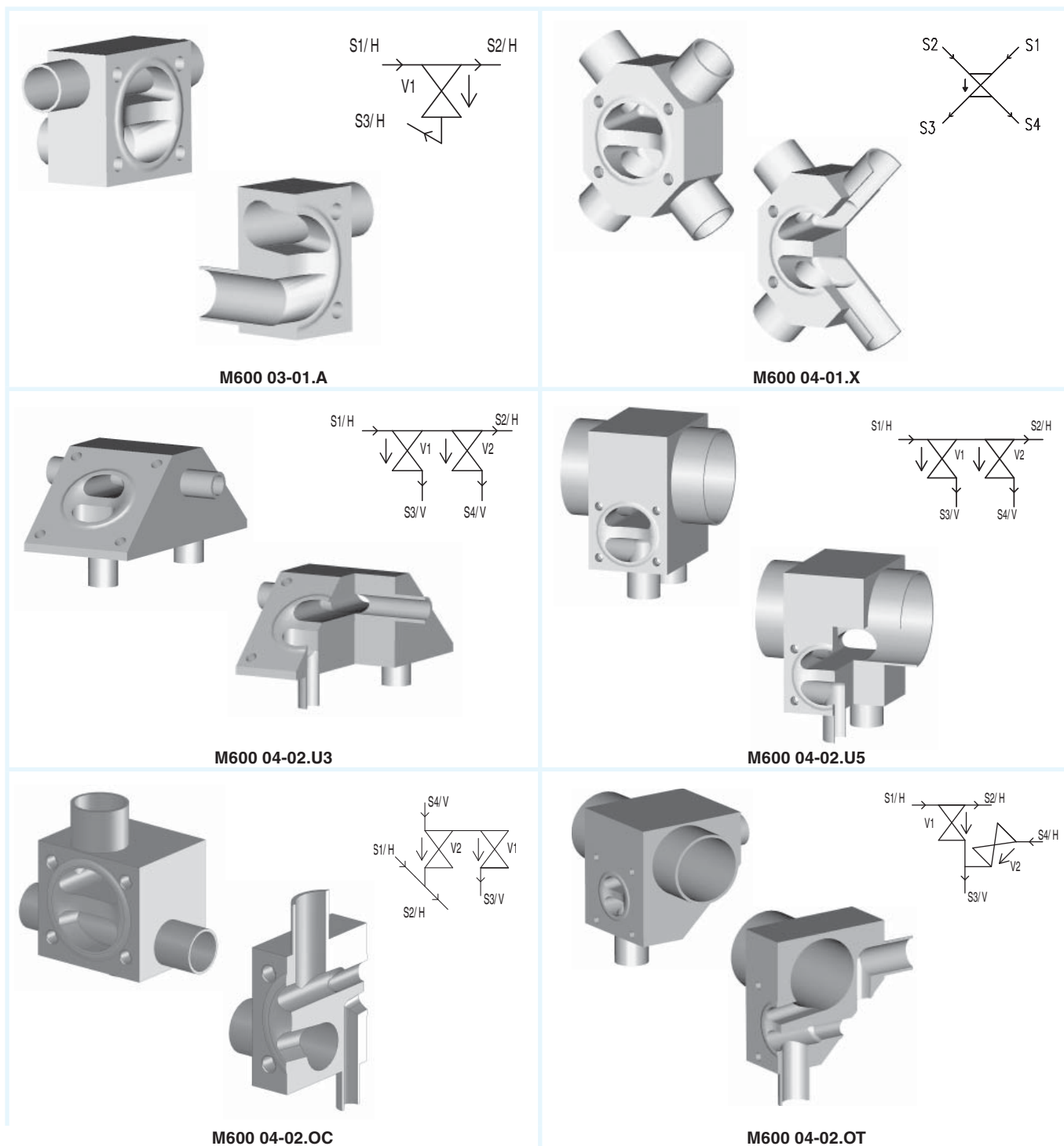
# Ring Main Designs



# Other product examples

## Design examples

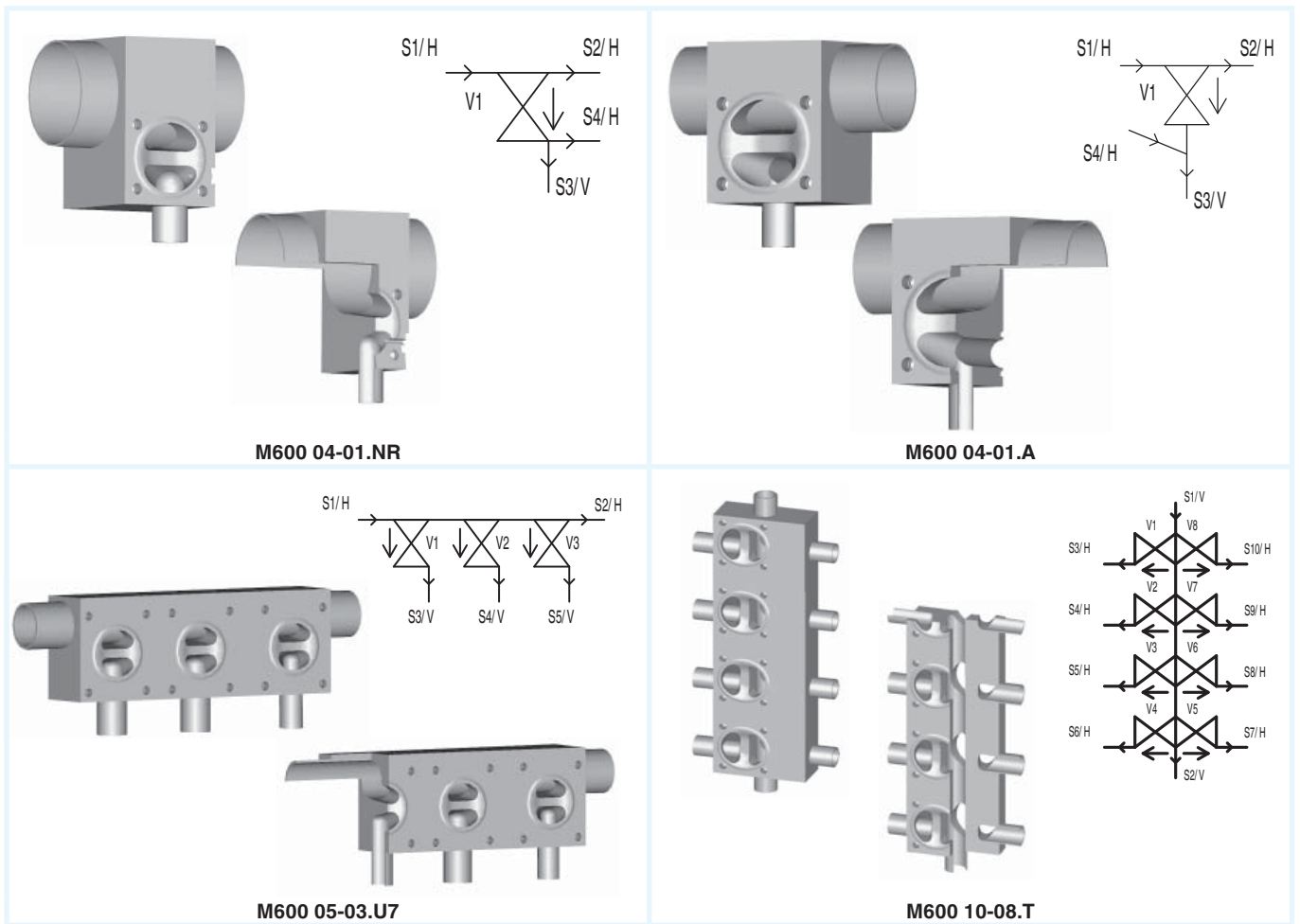
Design versions of T valves with additional branch or integrated valve seat.



# Other product examples

## Design examples

Design versions of T valves with additional branch or integrated valve seat.





# M600 Specification

Please complete this form and return it to your nearest GEMÜ office or to the address listed below!

**Operating pressure:** \_\_\_\_\_ bar

**Medium temperature:** \_\_\_\_\_ °C

**Multi-port valve material:**

1.4435

1.4435 BN 2 ( $\Delta Fe < 0.5\%$ )

1.4539

Other \_\_\_\_\_

**Diaphragm material:**

EPDM Code \_\_\_\_\_

PTFE Code \_\_\_\_\_

Other \_\_\_\_\_

**Surface finish of M600 multi-port valve:**

1502 (Ra) ≤ 0.8 μm

1503 (Ra) ≤ 0.8 μm electropolished

1507 (Ra) ≤ 0.6 μm

1508 (Ra) ≤ 0.6 μm electropolished

1536 (Ra) ≤ 0.4 μm

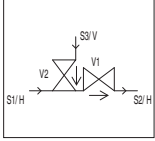
1537 (Ra) ≤ 0.4 μm electropolished

1527 (Ra) ≤ 0.25 μm

1516 (Ra) ≤ 0.25 μm electropolished

**Quantity:**

**Example:**



Please draw functional diagram.


**Note:** Please observe correspondence of table and functional diagram.

Spigot: S1, S2, ...

Preferred mounting position: Horizontal/Vertical

Flow direction (medium): →

Draining direction: →

Valve seat: 

| Spigot     |    | Pipe connection |          |      | Operator      |                  | Other                 |
|------------|----|-----------------|----------|------|---------------|------------------|-----------------------|
| Spigot no. | DN | s[mm]           | ød(a)mm] | Code | Operator type | Control function | Comment / accessories |
| S1         |    |                 |          |      |               |                  |                       |
| S2         |    |                 |          |      |               |                  |                       |
| S3         |    |                 |          |      |               |                  |                       |
| S4         |    |                 |          |      |               |                  |                       |
| S5         |    |                 |          |      |               |                  |                       |
| S6         |    |                 |          |      |               |                  |                       |
| S7         |    |                 |          |      |               |                  |                       |
| S8         |    |                 |          |      |               |                  |                       |
| S9         |    |                 |          |      |               |                  |                       |
| S10        |    |                 |          |      |               |                  |                       |
| S11        |    |                 |          |      |               |                  |                       |
| S12        |    |                 |          |      |               |                  |                       |

The technical details of each enquiry will be checked by GEMÜ.

**Contact (GEMÜ):** \_\_\_\_\_

**Customer:** \_\_\_\_\_

**Department:** \_\_\_\_\_

**Address:** \_\_\_\_\_

**Phone:** \_\_\_\_\_ **e-mail:** \_\_\_\_\_

Please do not write here!

Version: 990

LZ: \_\_\_\_\_

Price\*: \_\_\_\_\_

\*€/body

# Stainless steel valves for sterile applications



## Stainless steel diaphragm valves

Complete range of "Valves for Sterile Applications". Includes an overview of the GEMÜ aseptic valves, available body configurations, connections, nominal sizes and accessories.

## 2/2-Way Valve Bodies for Sterile Applications

Partial overview of available GEMÜ 2/2-way valve bodies and their dimensions.

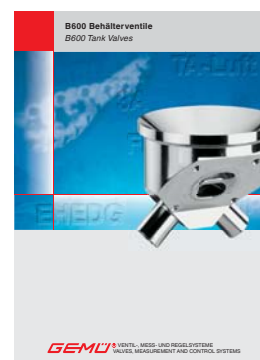


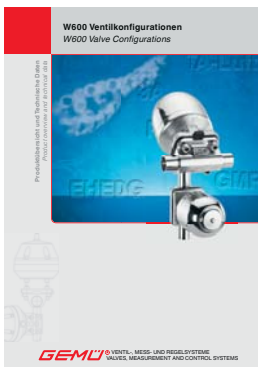
## M600 Multi-Port Valves for Sterile Applications

Partial overview of available GEMÜ M600 multi-port valves, variations and specification form.

## B600 Tank Valves

Partial overview of GEMÜ B600 tank valves, variations and specification form.





### W600 Valve configurations

Partial overview of available GEMÜ W600 valve configurations, variations and specification form.

### Diaphragms

Overview of available GEMÜ diaphragms, materials used and areas of use for GEMÜ diaphragm valves.



Dear Customer,

When installing GEMÜ products all current standards, provisions, directives and regulatory codes must be followed.

The application of other technical regulations during installation may also depend on local or relevant industrial guidelines and is the responsibility of our customers.

GEMÜ cannot accept any liability for improper installations which do not comply with current legal and engineering practise.

We reserve the right to make technical alterations to products as a result of developments. The technical data specified in this documentation serves only as a guideline to our product range. The application and use of these products needs to be checked by the user in every case.



Subject to alteration · 10/2010 · 88321388

**GEMÜ®** VALVES, MEASUREMENT  
AND CONTROL SYSTEMS

GEMÜ Gebr. Müller Apparatebau GmbH & Co. KG · Fritz-Müller-Str. 6-8 · D-74653 Ingelfingen-Criesbach · Phone +49(0)7940/123-0 · Telefax +49(0)7940/123-224  
info@gemue.de · www.gemue.de